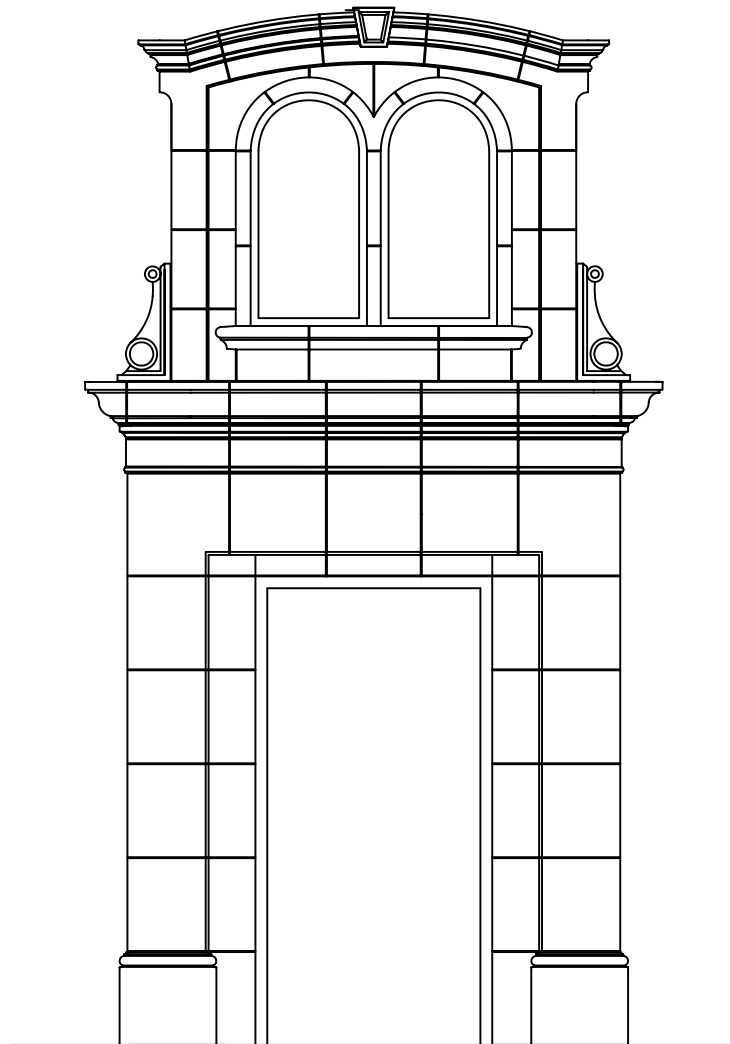


Ventura Cast Stone, Inc

Primary Moldings 2008



www.venturacaststone.com

1550 Lirio Ave, Ventura, CA 93004 Office (805) 386-8185 Fax: (805) 671-9371

Plant: (805) 386-0808 Toll free (800) 898-2332

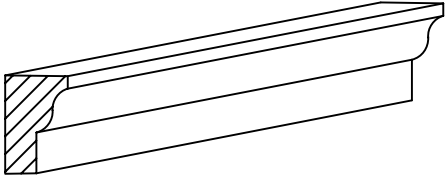
CONTENTS

CLICK ON A LINK BELOW TO GO TO THE 1st
PAGE OF THE SECTION YOU WANT TO VIEW
THEN SCROLL DOWN TO VIEW NEXT PAGES

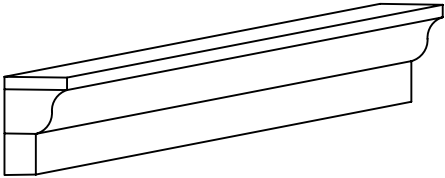
EXPLANATION OF PARTS	SHEET 0
SILLS-SURROUNDS	SHEETS 1-2A
ASSORTED MOLDINGS	SHEET 2B
BASE MOLDINGS	SHEET 3
QUOINS AND CLADDING	SHEET 4
COLUMNS	SHEETS 5-9
BALUSTRADE	SHEETS 10, 11
WALLCAP, POOL COPING, STAIR TREAD	SHEETS 12-14A
QUATREFOIL AND OVAL WINDOWS	SHEETS 15, 16
MISCLEANEOUS MOLDINGS	SHEET 17
WINDOW TRIM SETS	SHEETS 18-22
TYPICAL WINDOW INSTALLATION	SHEETS 23-28
COLUMN INSTALLATION	SHEET 29
BALUSTRADE AND PEDESTAL INSTALLATION	SHEETS 30-38

EXPLANATION OF PARTS

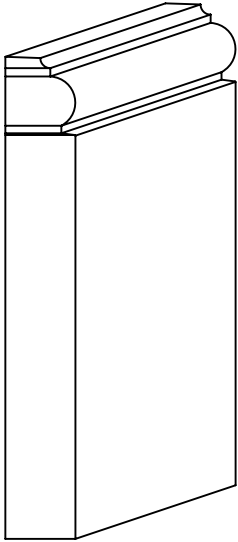
STRETCHER



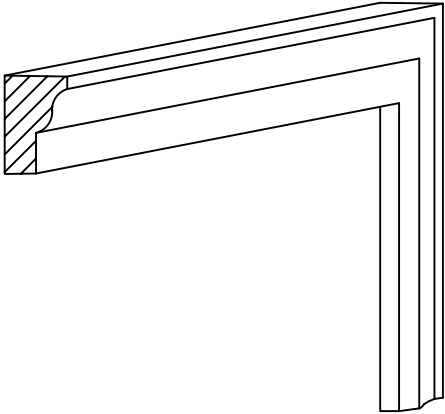
DOUBLE STOP (TYPICAL SILL)



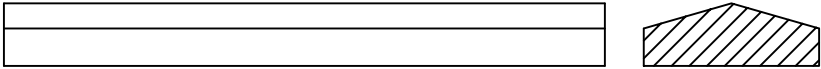
BASE DOUBLE STOP



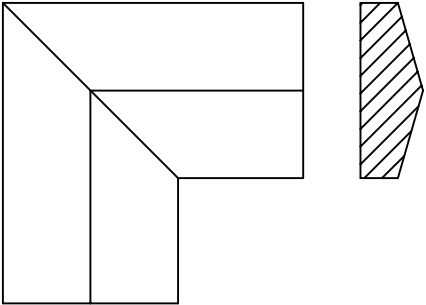
CORNER



WALLCAP STRETCHER



WALLCAP CORNER



WALLCAP STOP END



SCALE: 1-1/2" = 1'-0"

Ventura Cast Stone, Inc.

(805) 386-8185 (805) 386-0808 Fax: (805) 671-9371 (800) 898-2332

www.venturacaststone.com e-mail: mail@venturacaststone.com

© Ventura Cast Stone, Inc

Drawn by: GG

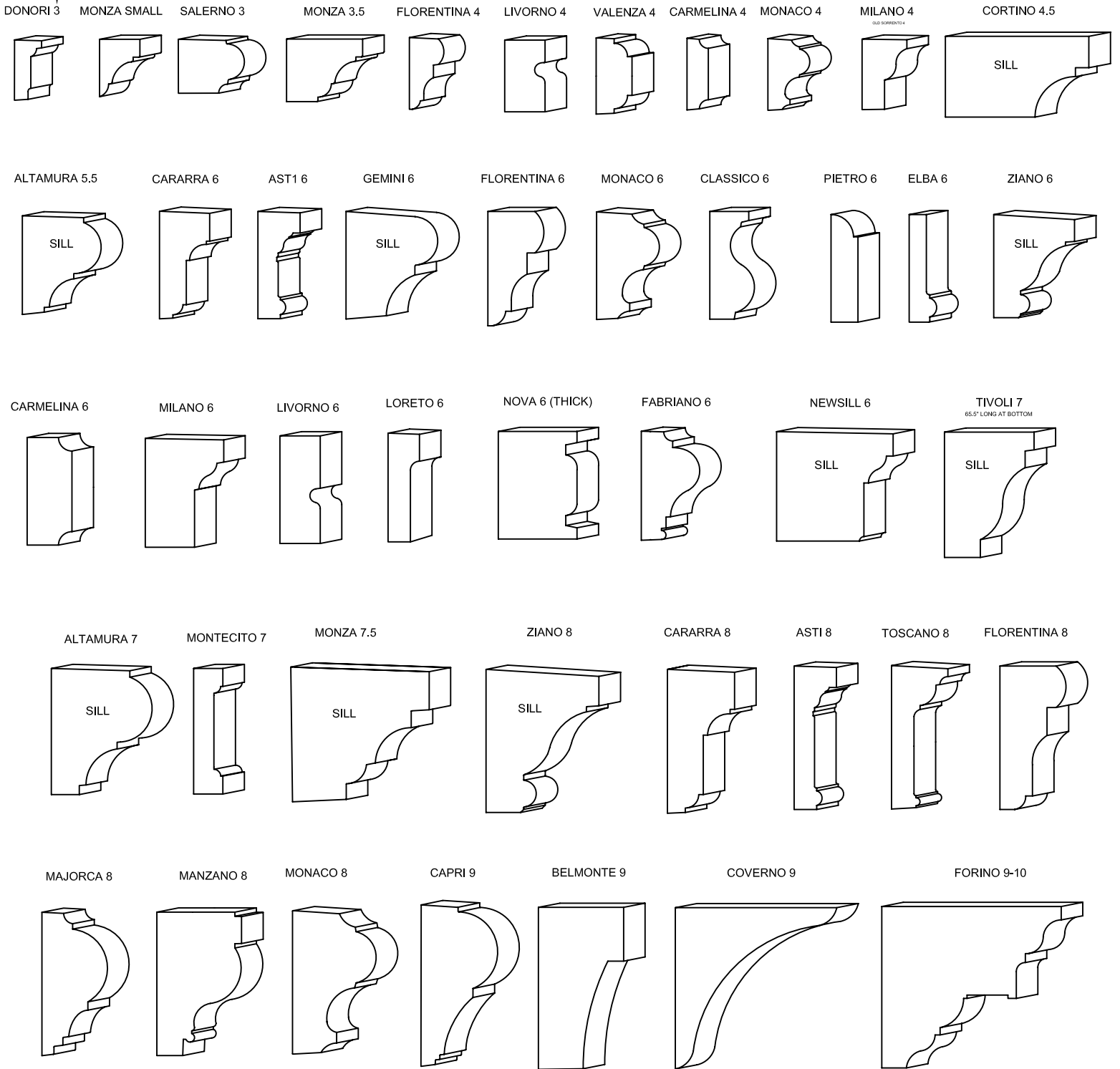
02-21-06

SILLS/SURROUNDS

SHEET 1

THIS NUMBER = HEIGHT

29-3/4" LENGTHS



SCALE: 1-1/2" = 1'-0"

Ventura Cast Stone, Inc.

(805) 386-8185 (805) 386-0808 Fax: (805) 671-9371 (800) 898-2332

www.venturacaststone.com e-mail: mail@venturacaststone.com

© Ventura Cast Stone, Inc

Drawn by: GG

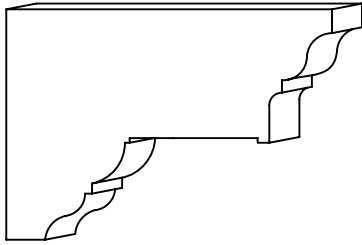
02-21-06

SILLS/SURROUNDS

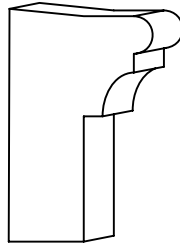
SHEET 2

THIS NUMBER = HEIGHT 29-3/4" LENGTHS

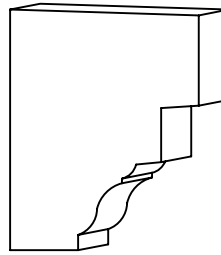
FORINO 9-13 LARGE



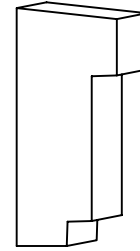
RAVENNA 9



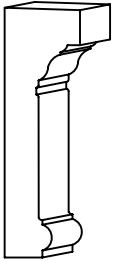
ALBA 10



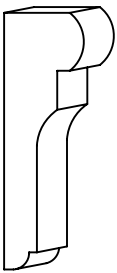
GIOVANNI 10



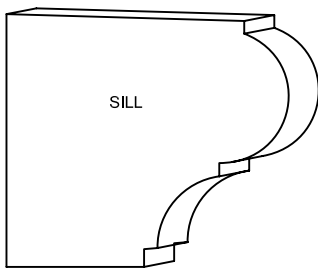
ASTI 10



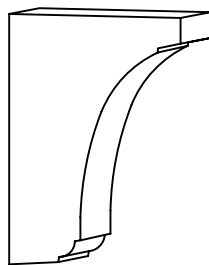
FLORENTINA 10



ALTAMURA 10



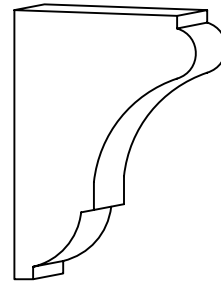
MORENO 10



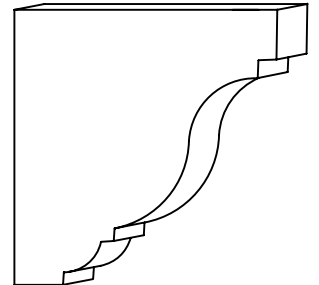
PALERMO 10.5



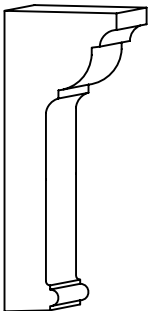
CHINZANO 11



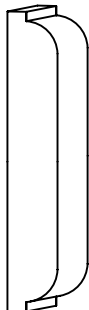
PORTONOVO 11



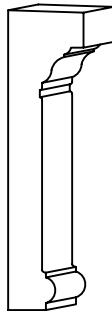
TOSCANO 12



STRADELLA 12



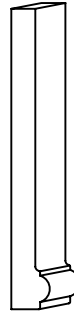
ASTI 12



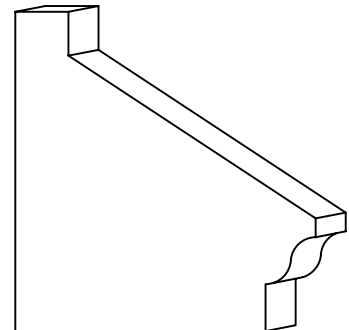
SUZA 12



ELBA 12



RIVOLI 12.75



SCALE: 1-1/2" = 1'-0"

Ventura Cast Stone, Inc.

(805) 386-8185 (805) 386-0808 Fax: (805) 671-9371 (800) 898-2332

www.venturacaststone.com e-mail: mail@venturacaststone.com

© Ventura Cast Stone, Inc

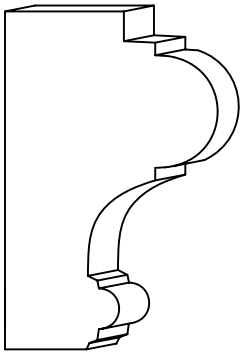
Drawn by: GG

02-21-06

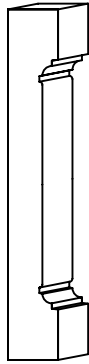
SILLS/SURROUNDS

SHEET 2A

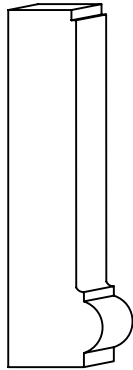
CARPINTERIA 13.5



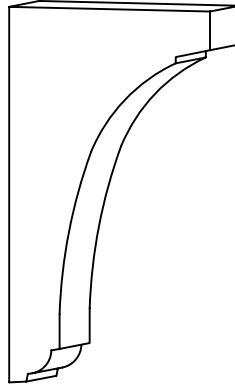
SUZA 14



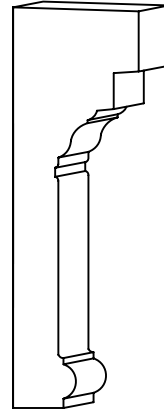
ELBA 14 (THICK)



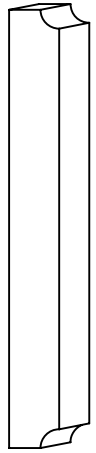
MORENO 15



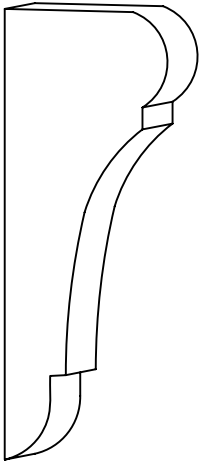
AST 16



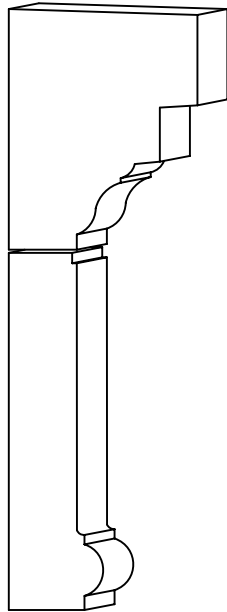
CARMELINA 17.5



FLORENTINA 18



ASTI 24



SCALE: 1- $\frac{1}{2}$ " = 1'-0"

Ventura Cast Stone, Inc.

(805) 386-8185 (805) 386-0808 Fax: (805) 671-9371 (800) 898-2332

www.venturacaststone.com e-mail: mail@venturacaststone.com

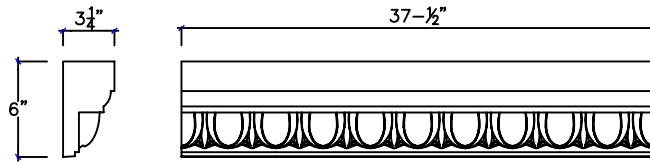
© Ventura Cast Stone, Inc

Drawn by: GG

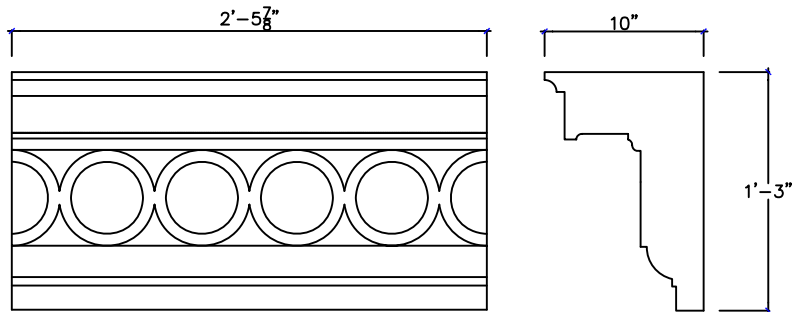
12-22-06

ASSORTED MOLDINGS

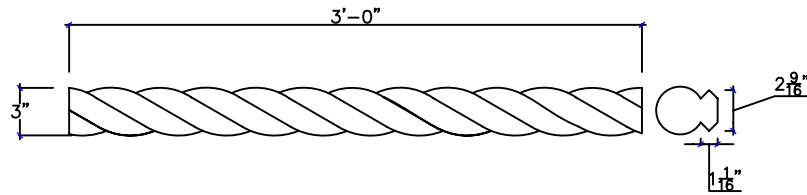
6" EGG & DART



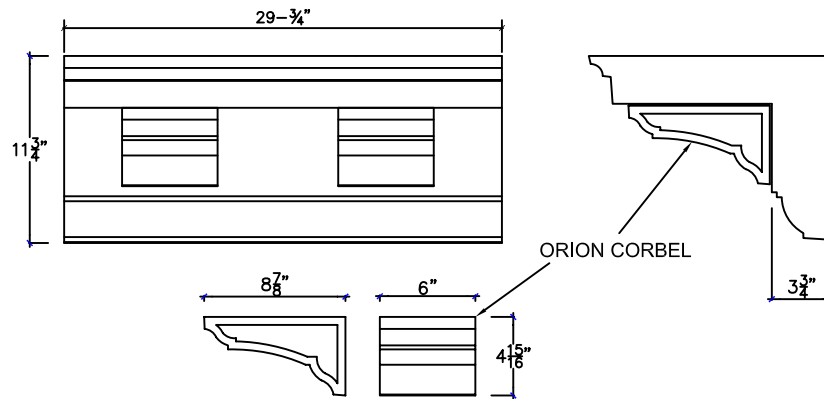
IMPERIA 15



3" ROPE MOLDING



ORION 12" EAVE MOLDING



NOT TO SCALE

Ventura Cast Stone, Inc.

(805) 386-8185 (805) 386-0808 Fax: (805) 671-9371 (800) 898-2332

www.venturacaststone.com e-mail: mail@venturacaststone.com

© Ventura Cast Stone, Inc

Drawn by: NG

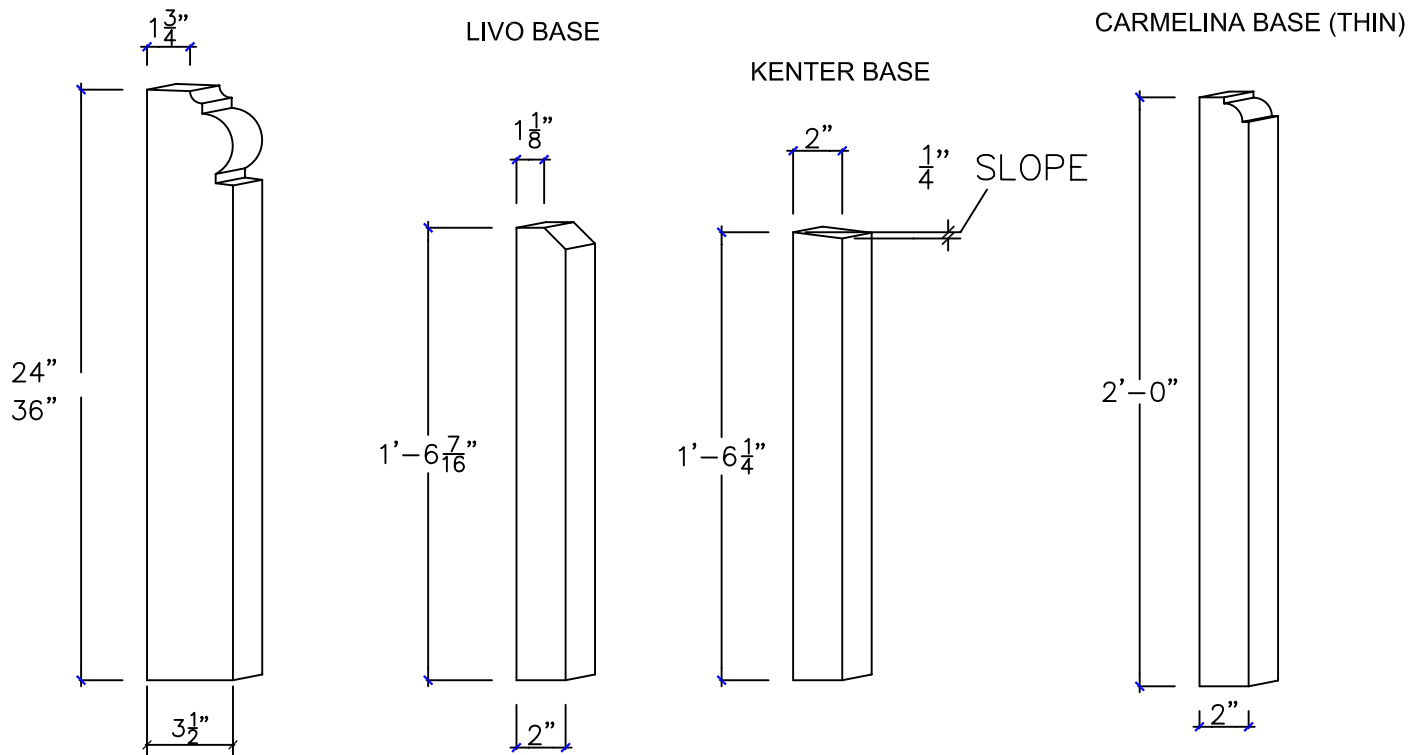
03-20-07

BASE MOLDING

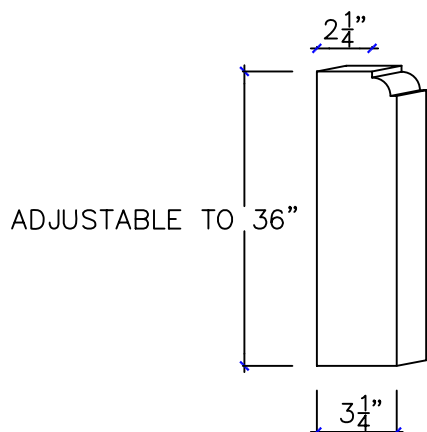
Note! You may use the attached drawings if you add the line: Manufacturer Ventura Cast Stone (800) 898-2332

BRONTE BASE 30" LONG
 DOUBLE STOP 33-1/2" ATTACHMENT
 DOUBLE STOP 36-3/4" OUTSIDE

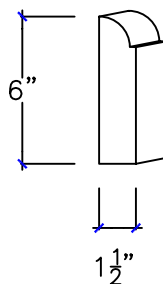
29-3/4" LENGTHS



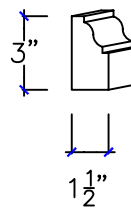
CARMELINA BASE



PIETRO 6 BASE



BELLAGIO 3 BASE



Ventura Cast Stone, Inc.

(805) 386-8185 (805) 386-0808 Fax: (805) 671-9371 (800) 898-2332

www.venturacaststone.com e-mail: mail@venturacaststone.com

© Ventura Cast Stone, Inc

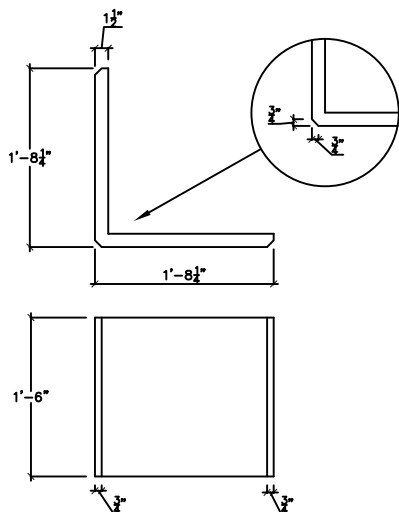
Drawn by: JG

09-30-0-5

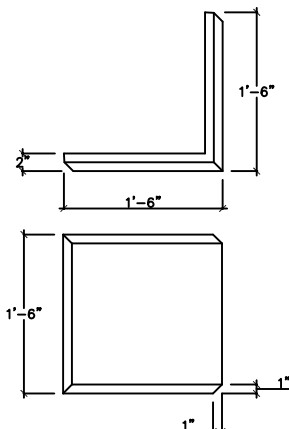
QUOINS / CLADDING

Note! You may use the attached drawings if you add the line: Courtesy of Ventura Cast Stone (800) 898-2332

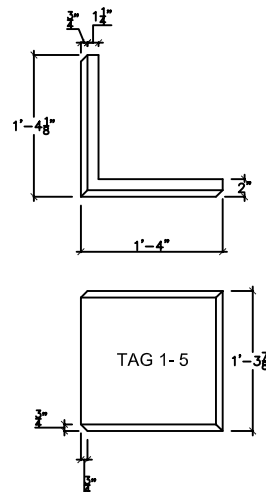
RIVA 20 QUOIN



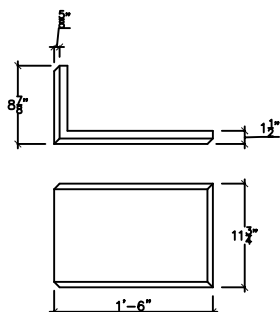
CAPELLA 18Q



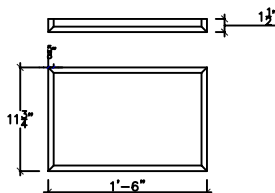
CAPELLA 16Q



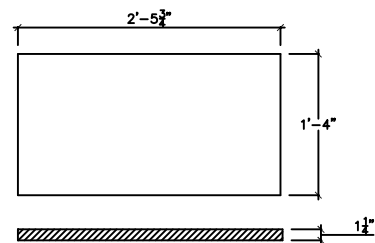
CERIANNI 12X9X18X1.5
BEVELLED QUOIN



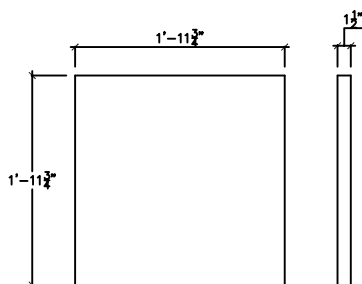
CERIANNI 12X18X1.5
BEVELLED PAVER



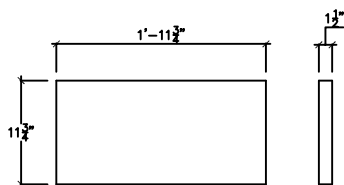
CAPELLA PV 30X16X1.25



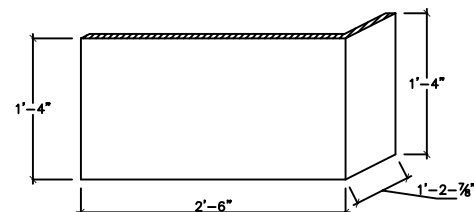
24'X24'X1.5" PAVER



12'X24'X1.5" PAVER



CAPELLA CORNER QUOIN 30X16X14-7/8'X1.25



NOT TO SCALE

Ventura Cast Stone, Inc.

(805) 386-8185 (805) 386-0808 Fax: (805) 671-9371 (800) 898-2332

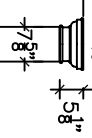
www.venturacaststone.com e-mail: mail@venturacaststone.com

© Ventura Cast Stone, Inc

Drawn by: NG

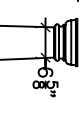
09-30-05

106" Max ht



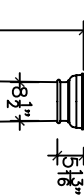
7.5" TUSCAN ENTASIS

101" Max ht



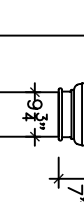
10" TUSCAN ENTASIS

102" Max ht



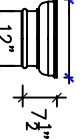
10" STRAIGHT SHAFT TUSCAN

135" Max ht



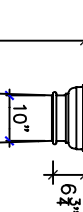
12" TUSCAN STRAIGHT SHAFT

164" Max ht



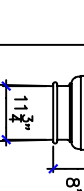
12" TUSCAN ENTASIS

126-1/2" Max ht



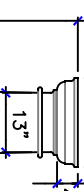
14" TUSCAN ENTASIS

148-1/2" Max ht



16" TUSCAN ENTASIS

144-1/2" Max ht



ALL COLUMNS ARE HEIGHT ADJUSTABLE, AND CAN ALSO BE SEGMENTED
BASES AND CAPITALS ARE SQUARE

NOT TO SCALE

TUSCAN COLUMNS 1

NOTE! DEDUCT 2-1/2" FROM O.D. FOR I.D

Note! You may use the attached drawings if you add the line: Courtesy of Ventura Cast Stone (800) 898-2332

SCAMOZZI COLUMNS

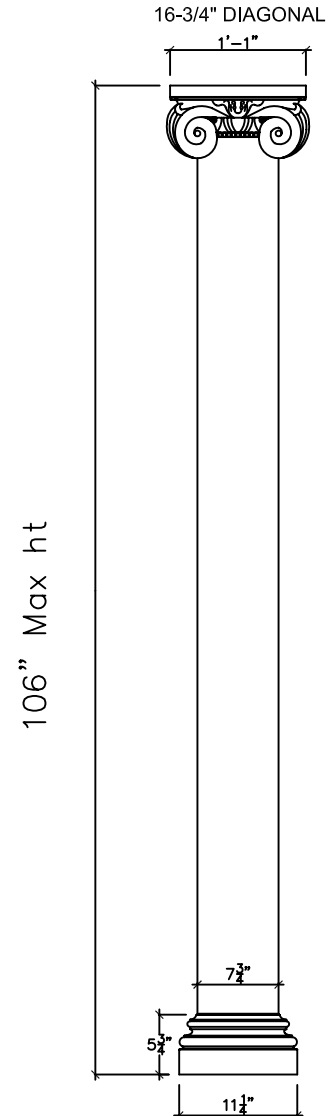
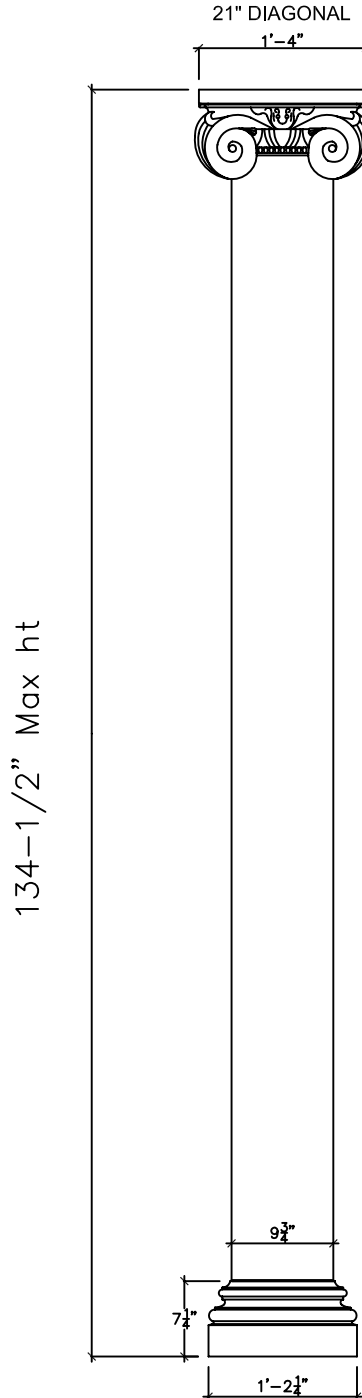
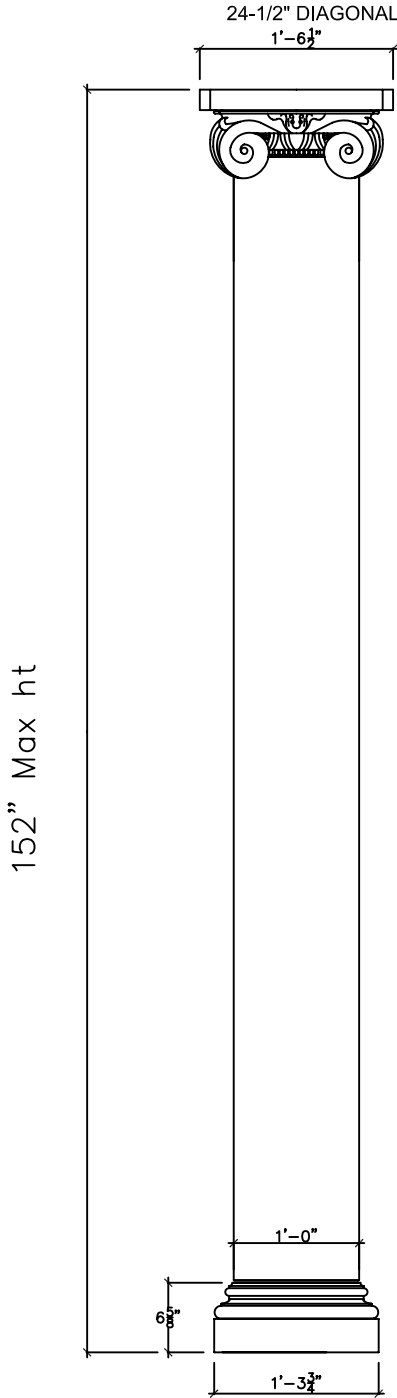
Note! You may use the attached drawings if you add the line: Courtesy of Ventura Cast Stone (800) 898-2332

NOTE! DEDUCT 2-1/2" FROM O.D. FOR I.D.

12" STRAIGHT SHAFT SCAMOZZI

10" STRAIGHT SHAFT SCAMOZZI

8" STRAIGHT SHAFT SCAMOZZI



NOT TO SCALE

Ventura Cast Stone, Inc.

(805) 386-8185 (805) 386-0808 Fax: (805) 671-9371 (800) 898-2332

www.venturacaststone.com e-mail: mail@venturacaststone.com

© Ventura Cast Stone, Inc

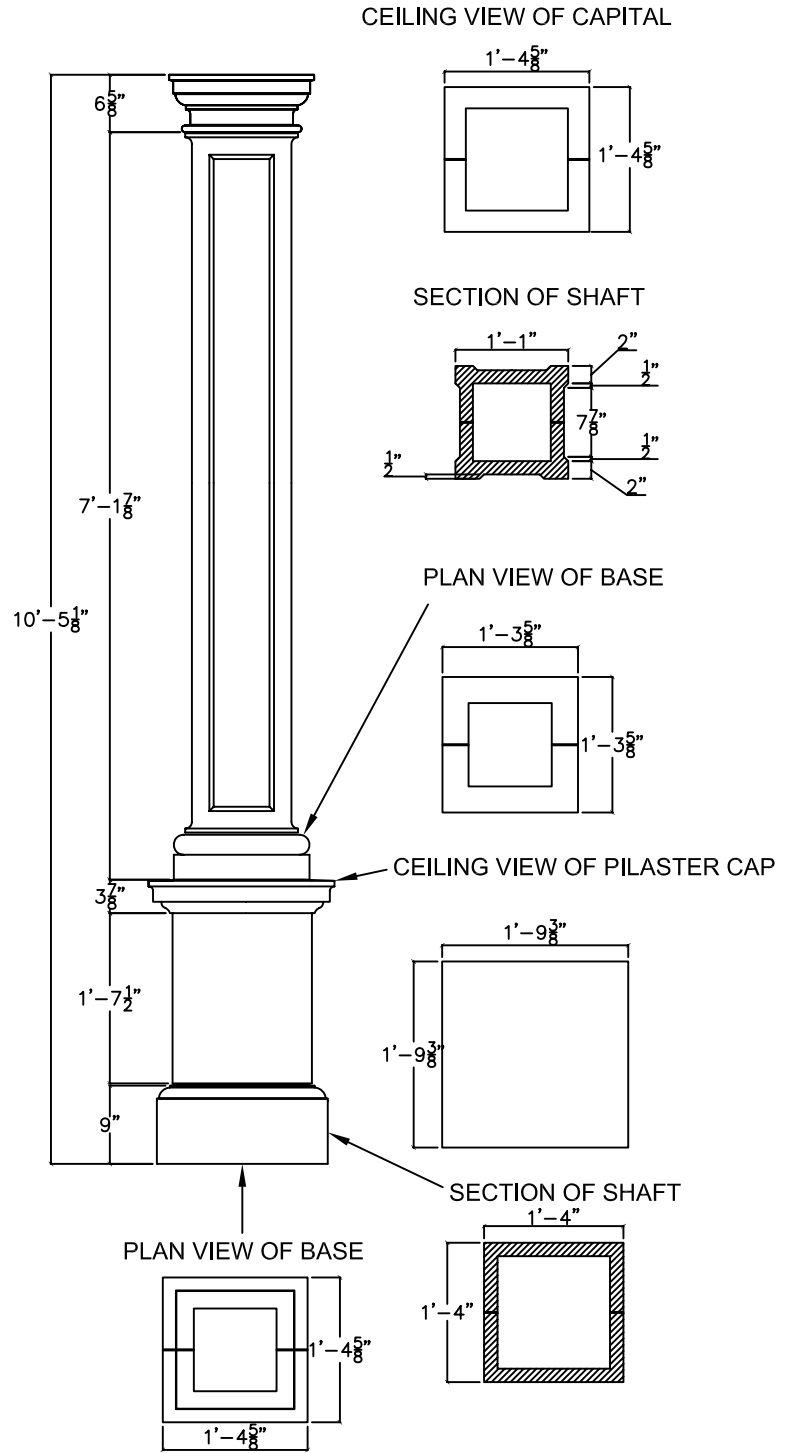
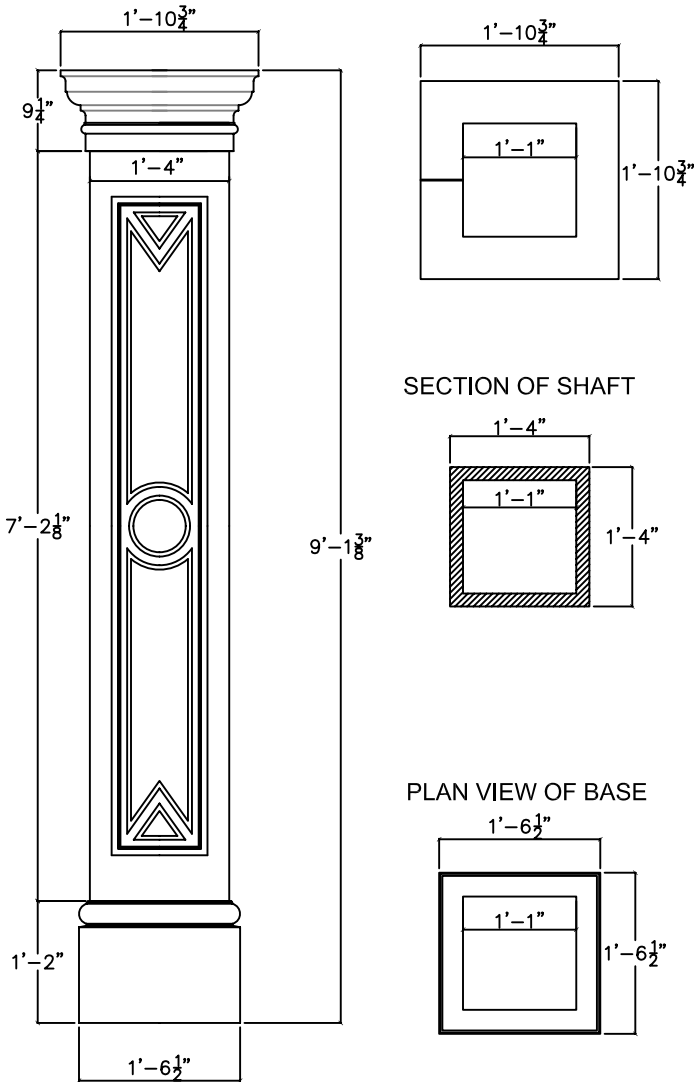
Drawn by: NG

09-30-05

SQUARE COLUMNS

MEDICCI SQ COLUMN

16" CASTELLANO SQ COLUMN



NOT TO SCALE

Ventura Cast Stone, Inc.

(805) 386-8185 (805) 386-0808 Fax: (805) 671-9371 (800) 898-2332

www.venturacaststone.com e-mail: mail@venturacaststone.com

© Ventura Cast Stone, Inc

Drawn by: NG

09-30-05

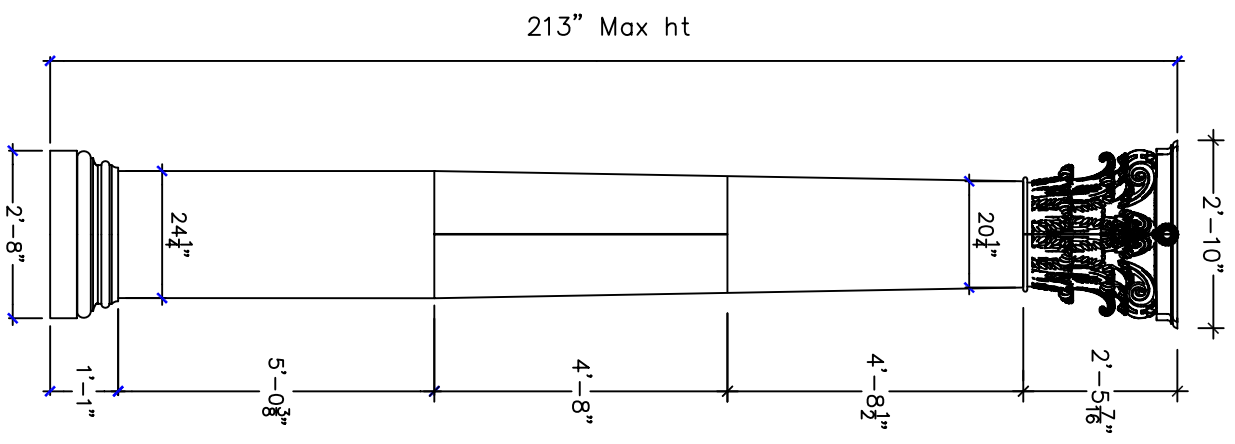
CORINTHIAN COLUMNS

NOTE! DEDUCT 2-1/2" FROM O.D. FOR I.D.

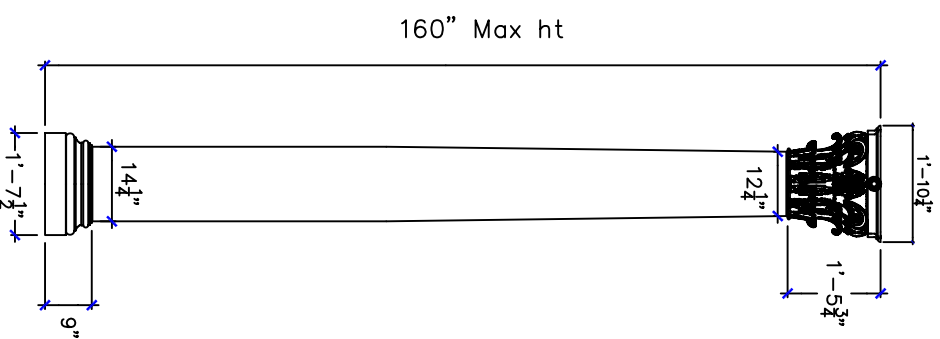
Note! You may use the attached drawings if you add the line: Courtesy of Ventura Cast Stone (800) 898-2332

ALL COLUMNS ARE HEIGHT ADJUSTABLE, AND CAN ALSO BE SEGMENTED

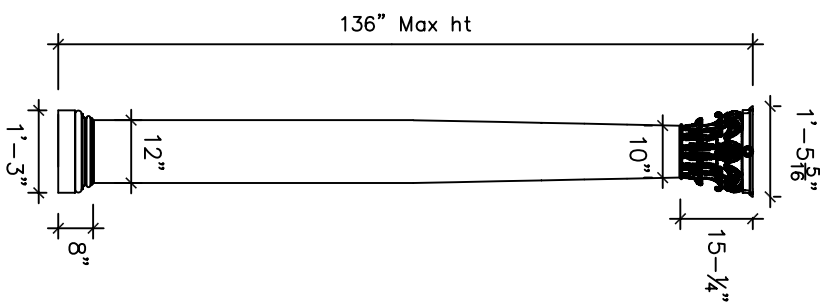
24" CORINTHIAN SEGMENTED



14" CORINTHIAN



12" CORINTHIAN



NOT TO SCALE

COLUMNS

TUSCAN STRAIGHT SHAFT COLUMN

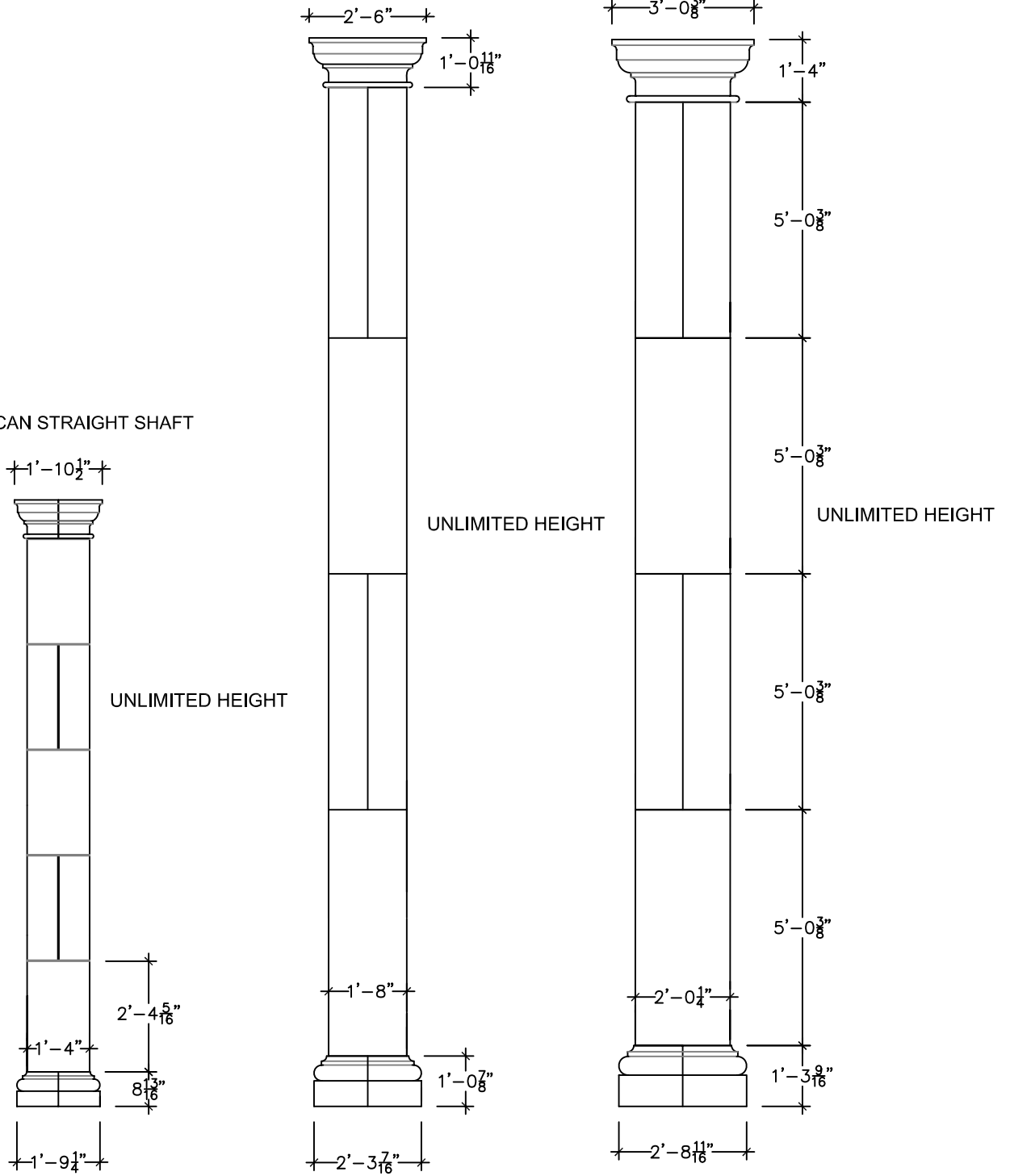
NOTE! DEDUCT 2-1/2" FROM O.D. FOR I.D

ALL COLUMNS ARE HEIGHT ADJUSTABLE, AND ARE SEGMENTED, BASES AND CAPITALS ARE SQUARE

20" TUSCAN STRAIGHT SHAFT

24" TUSCAN STRAIGHT SHAFT

16" TUSCAN STRAIGHT SHAFT



NOT TO SCALE

Ventura Cast Stone, Inc.

(805) 386-8185 (805) 386-0808 Fax: (805) 671-9371 (800) 898-2332

www.venturacaststone.com e-mail: mail@venturacaststone.com

© Ventura Cast Stone, Inc

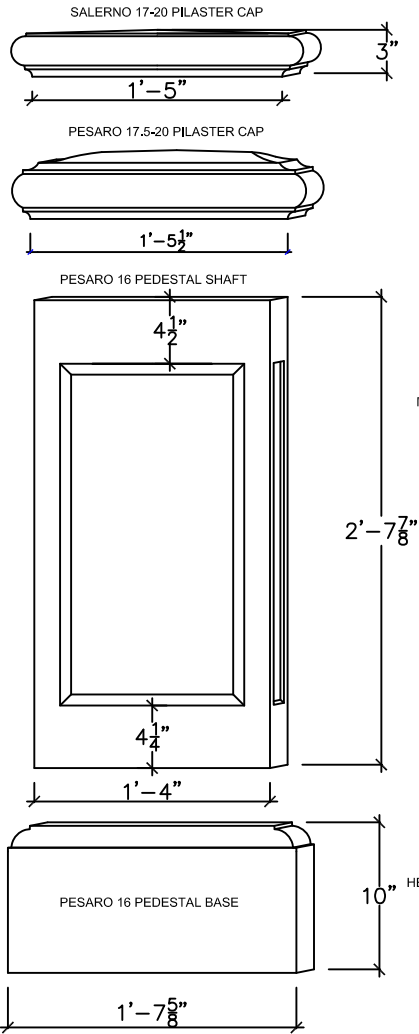
Drawn by: NG

5-29-04

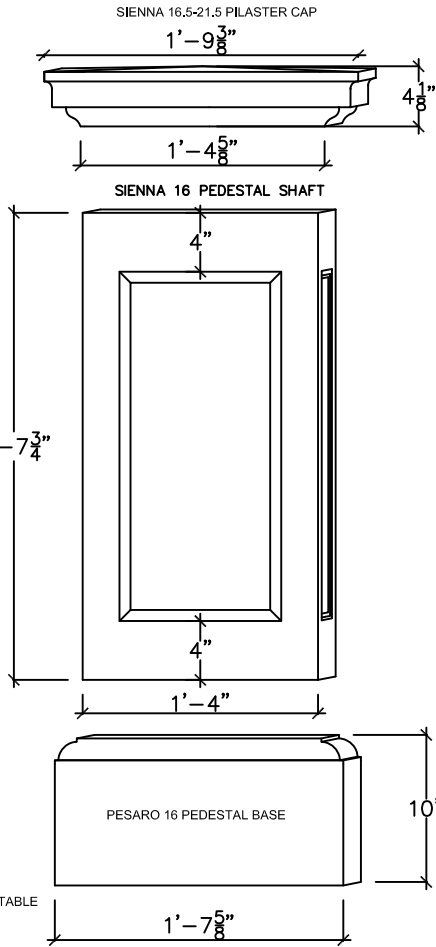
PILASTERS & BALUSTRADE

Note! You may use the attached drawings if you add the line: Courtesy of Ventura Cast Stone (800) 898-2332

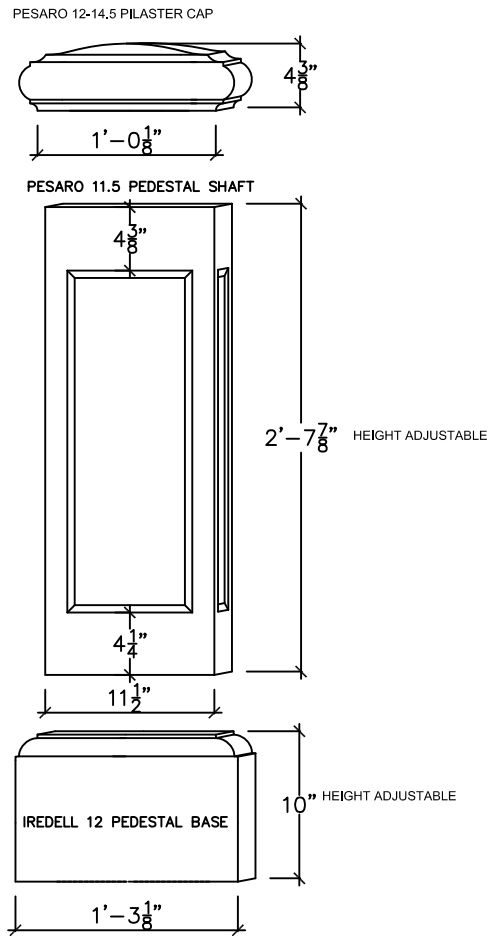
PESARRO 16 PEDESTAL



SIENNA 16 PEDESTAL

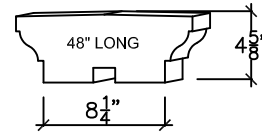


PESARRO 12 PEDESTAL

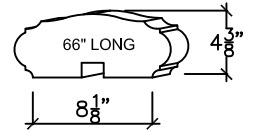


BELLAGIO 28 BALUSTER

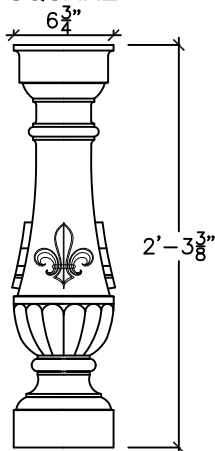
BELLAGIO TOP RAIL



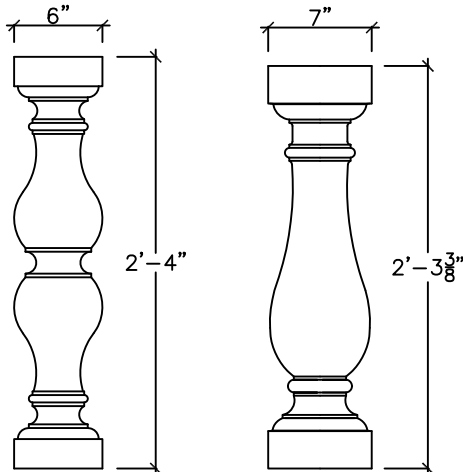
PESARRO TOP RAIL



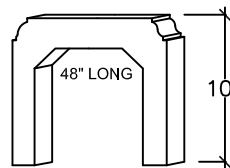
FLUER DE LIS BALUSTER SQUARE



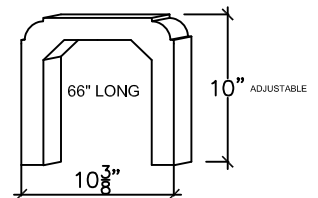
MARTINA 28 BALUSTER



BELLAGIO BASE RAIL



IREDELL BALUSTER BASE



NOT TO SCALE

Ventura Cast Stone, Inc.

(805) 386-8185 (805) 386-0808 Fax: (805) 671-9371 (800) 898-2332

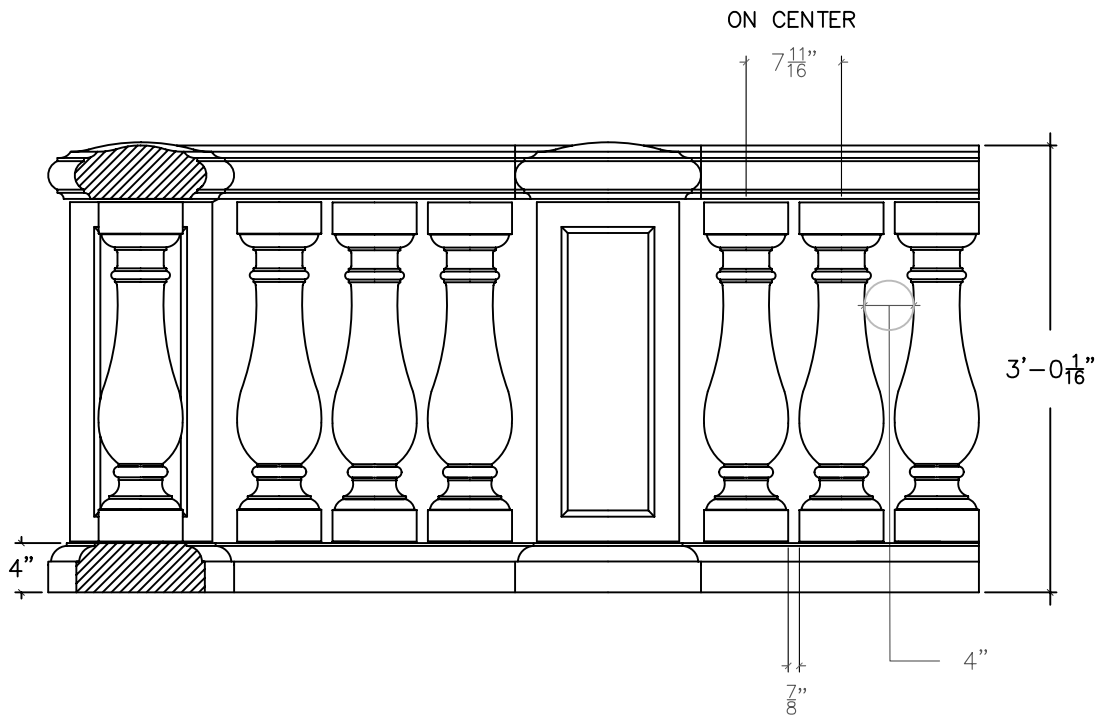
www.venturacaststone.com e-mail: mail@venturacaststone.com

© Ventura Cast Stone, Inc

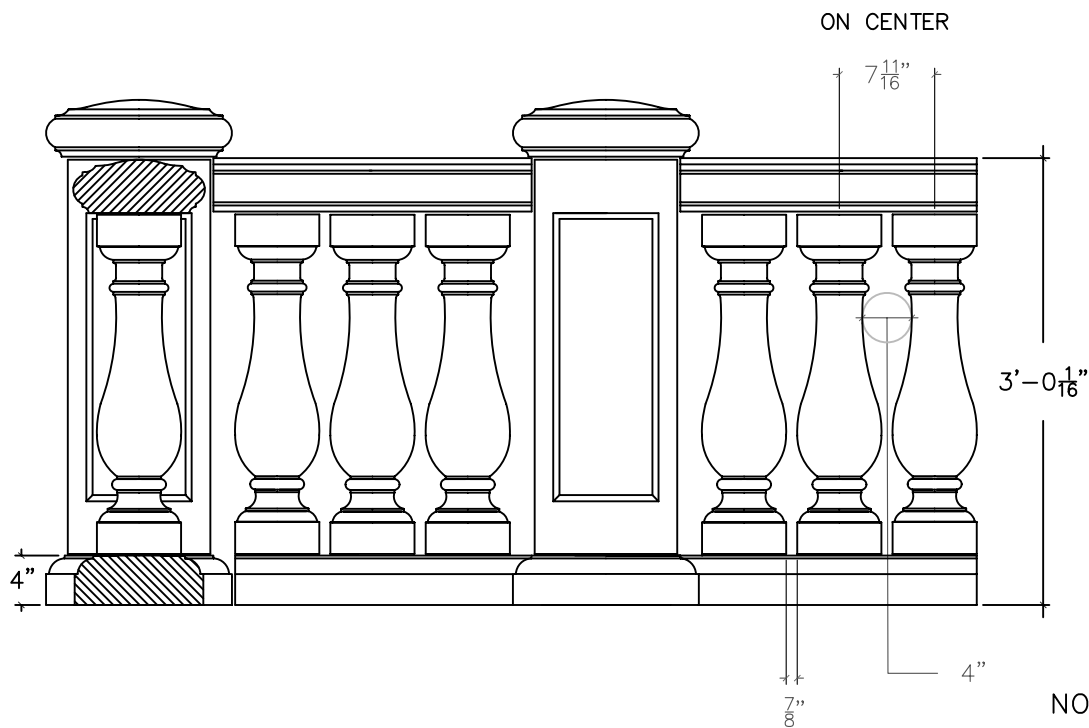
Drawn by: NG

09-30-05

PESARRO 36-3/8" PILASTER
WITH 3 PC BALUSTER SYSTEM AND 4" HIGH BASE



PESARRO 41-1/2" EXTENDED PILASTER
WITH 3 PC BALUSTER SYSTEM AND 4" HIGH BASE



NOT TO SCALE

Ventura Cast Stone, Inc.

(805) 386-8185 (805) 386-0808 Fax: (805) 671-9371 (800) 898-2332

www.venturacaststone.com e-mail: mail@venturacaststone.com

© Ventura Cast Stone, Inc

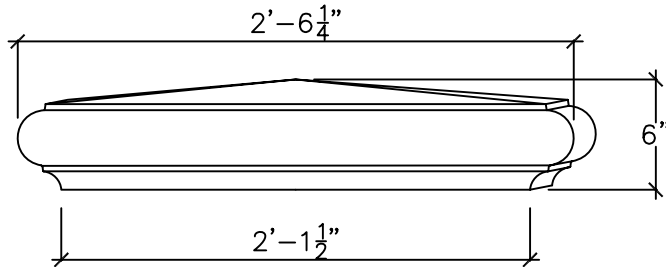
Drawn by: NG

09-30-05

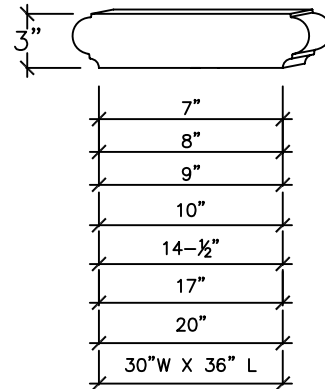
SALERNO CAPS

Note! You may use the attached drawings if you add the line: Courtesy of Ventura Cast Stone (800) 898-2332

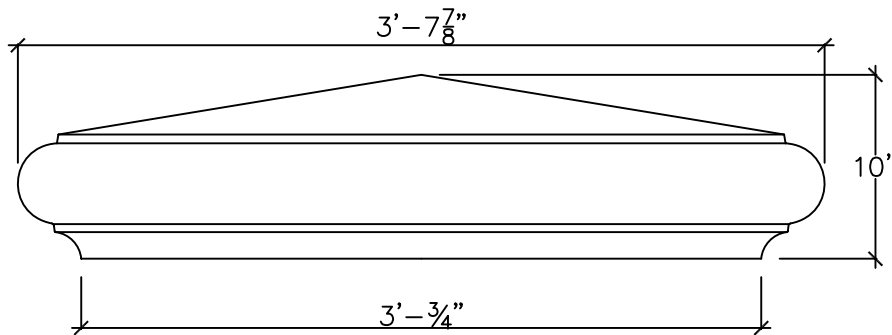
SALERNO 25.5-30.25 PILASTER CAP



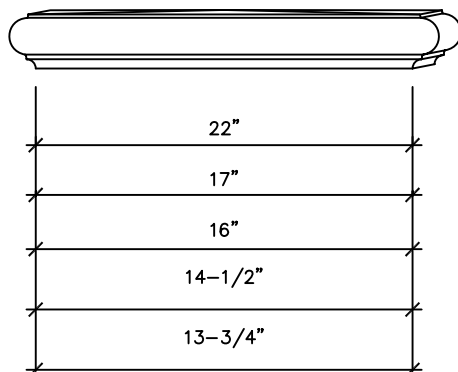
SALERNO WALL CAP 48" LONG



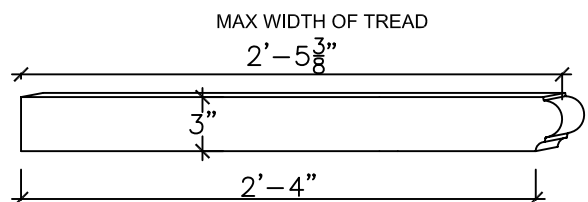
SALERNO 37-44 PILASTER CAP



SALERNO PILASTER CAP
SOME FLAT TOP



SALERNO STAIR TREAD



STRETCHER - 52" LONG

STOP - 48" LONG AT BOTTOM (ONE SIDE)

NOT TO SCALE

Ventura Cast Stone, Inc.

(805) 386-8185 (805) 386-0808 Fax: (805) 671-9371 (800) 898-2332

www.venturacaststone.com e-mail: mail@venturacaststone.com

© Ventura Cast Stone, Inc

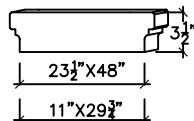
Drawn by: NG

09-30-05

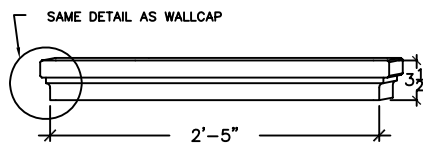
WALL-PILASTER CAPS

Note! You may use the attached drawings if you add the line: Courtesy of Ventura Cast Stone (800) 898-2332

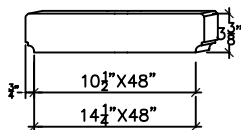
VERONA WALLCAP



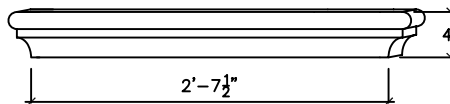
VERONA PILASTER CAP 31-29



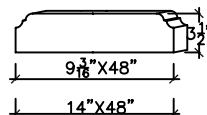
GENOVA WALLCAP



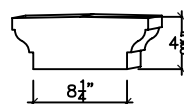
BELLAGIO HEARTH 30\"/>



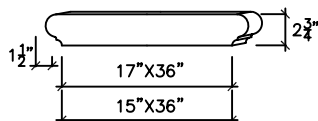
ROMA WALLCAP



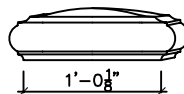
BELAGGIO 8.25-12 WALLCAP



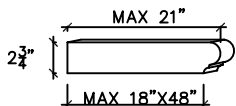
BELLAPASO WALLCAP



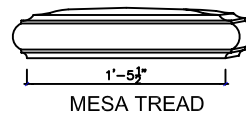
PESARO 12-14.5 PILASTER CAP



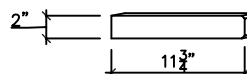
BELLAPASO TREAD



PESARO 17-19.5 PILASTER CAP

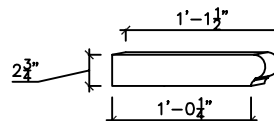
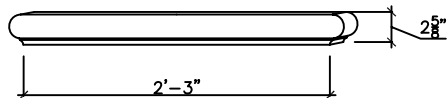


MESA TREAD

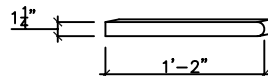


BELLAPASO TREAD 48\"/>

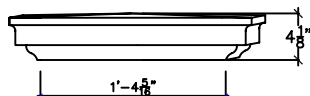
BELLAPASO 27-29.5 PILASTER CAP



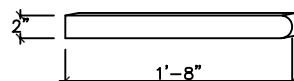
SONOMA 1.25\"/>



SIENNA 16.6-21.5 PILASTER CAP



SONOMA 2\"/>



NOT TO SCALE

Ventura Cast Stone, Inc.

(805) 386-8185 (805) 386-0808 Fax: (805) 671-9371 (800) 898-2332

www.venturacaststone.com e-mail: mail@venturacaststone.com

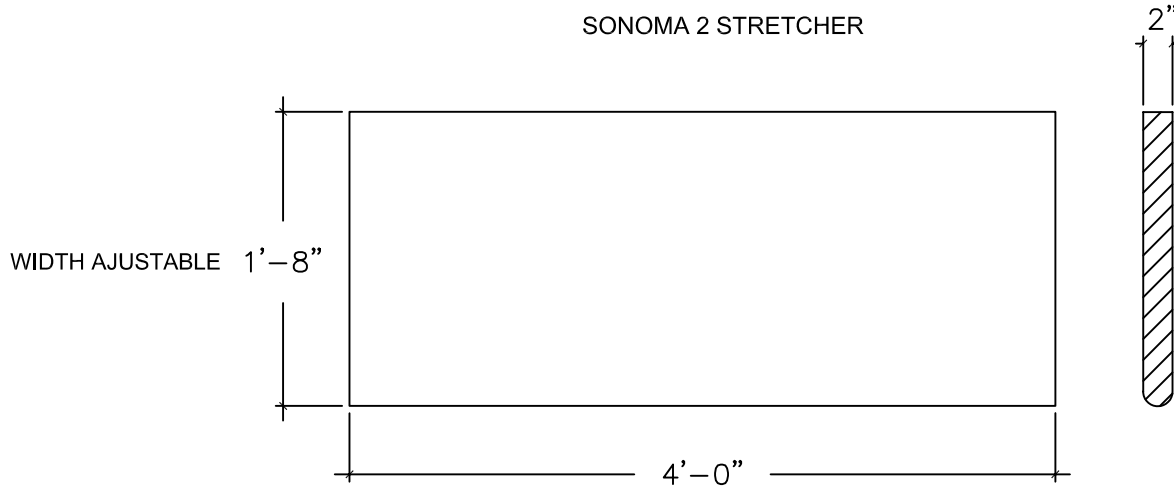
© Ventura Cast Stone, Inc

Drawn by: NG

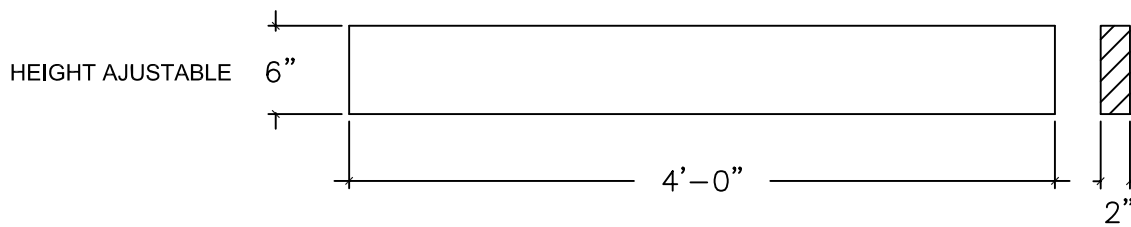
03-03-04

SONOMA 2 POOL COPING-STAIR TREAD

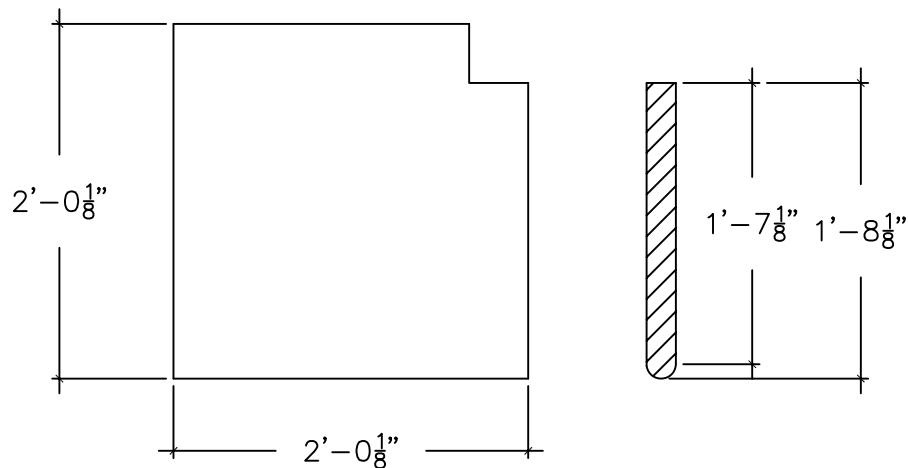
SONOMA 2 STRETCHER



6" STAIR RISER



INSIDE/OUTSIDE CORNER



Note! You may use the attached drawings if you add the line: Courtesy of Ventura Cast Stone (800) 898-2332

NOT TO SCALE

Ventura Cast Stone

© Ventura Cast Stone, Inc

(800) 898-2332

(805) 386-8185

Fax: (805) 671-9371

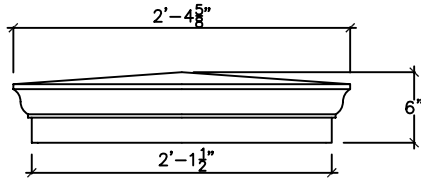
Drawn by: NG

09-30-05

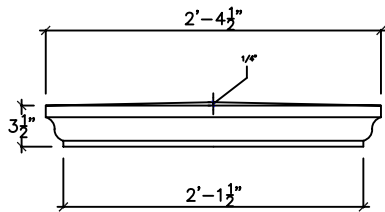
CONTESSA PILASTER CAPS

Note! You may use the attached drawings if you add the line: Courtesy of Ventura Cast Stone (800) 898-2332

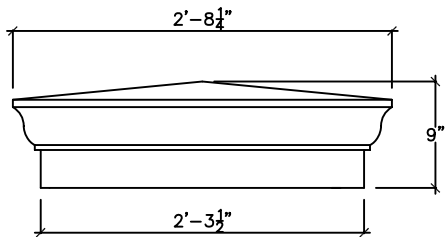
CONTESSA P/C 25.5-28.5 X 6



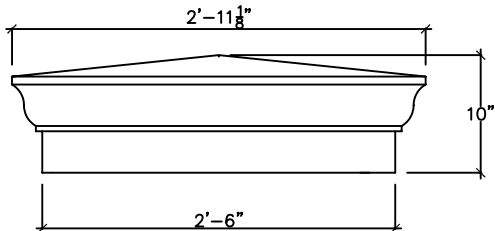
CONTESSA P/C 25.5-28.5 X 3.5



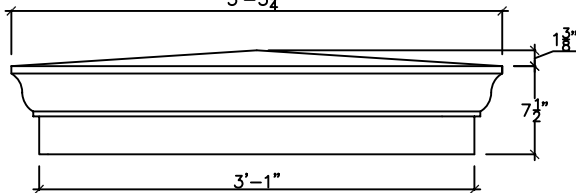
CONTESSA-P/C 27.5-32 X 9



CONTESSA-P/C 30-35 X 10

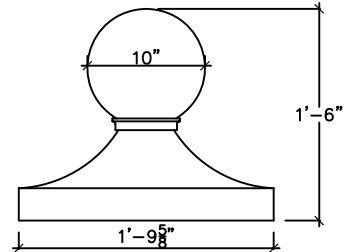


CONTESSA P/C 42-37 X 9
3'-5 3/4"

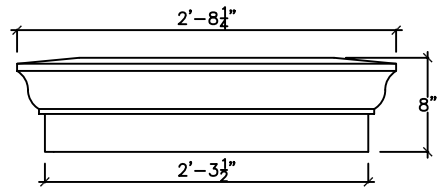


CONTESSA-P/C-BALL COMBO 32-27.5

CONTESSA BALL 10-22

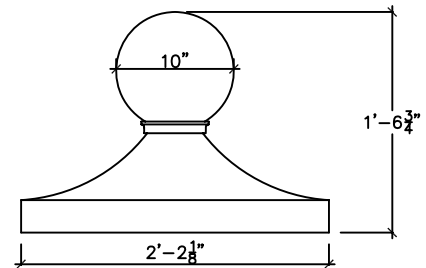


CONTESSA P/C 27.5-32 FLAT TOP

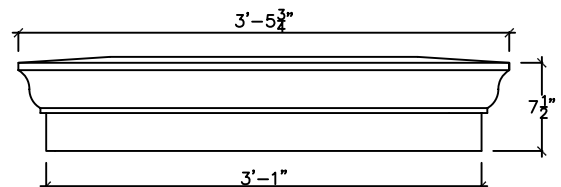


CONTESSA-PC-BALL COMBO 42-37

CONTESSA BALL 10-26



CONTESSA 42-37 FLAT TOP



NOT TO SCALE

Ventura Cast Stone, Inc.

(805) 386-8185 (805) 386-0808 Fax: (805) 671-9371 (800) 898-2332

www.venturacaststone.com e-mail: mail@venturacaststone.com

© Ventura Cast Stone, Inc

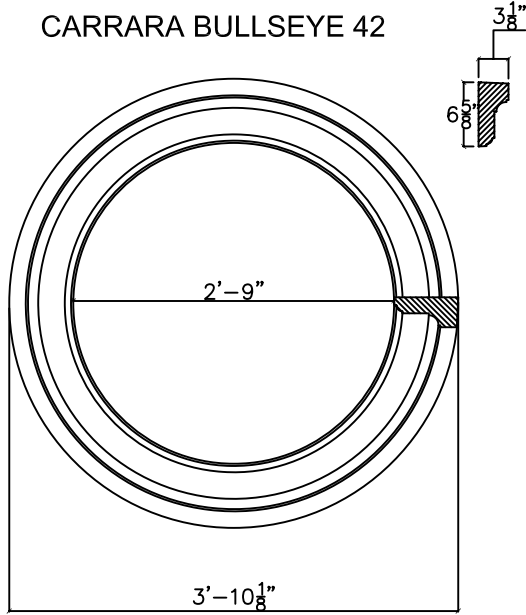
Drawn by: NG

09-30-05

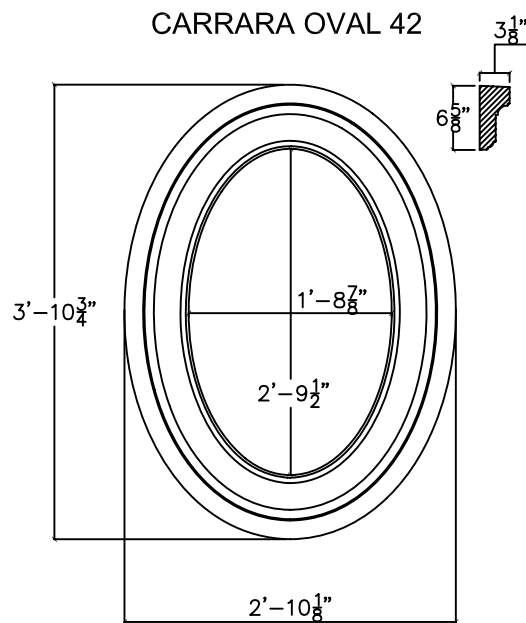
OVAL/ROUND WINDOW SURROUNDS

Note! You may use the attached drawings if you add the line: Courtesy of Ventura Cast Stone (800) 898-2332

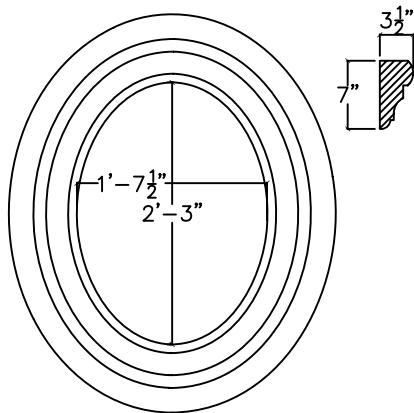
CARRARA BULLSEYE 42



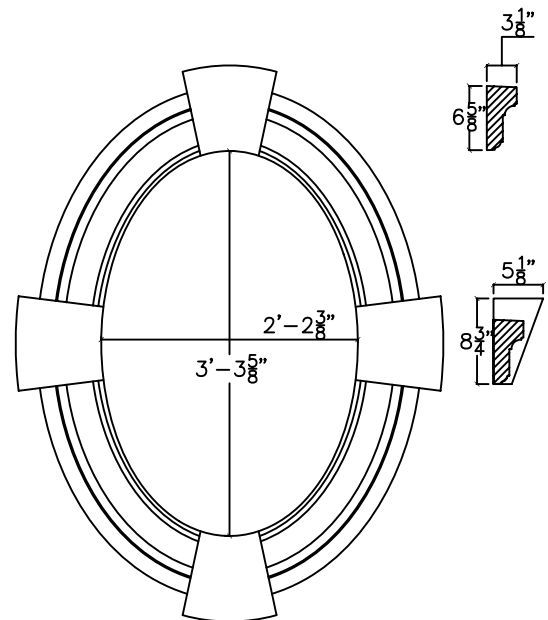
CARRARA OVAL 42



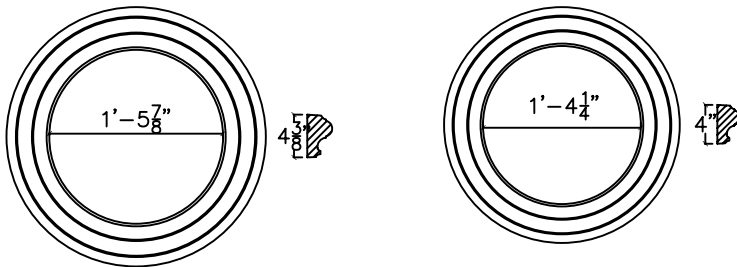
FLORENTINA 6 OVAL



CARRARA OVAL 24-36 W/KEYSTONES



MONACO 4 BULLSEYE



NOT TO SCALE

Ventura Cast Stone, Inc.

(805) 386-8185 (805) 386-0808 Fax: (805) 671-9371 (800) 898-2332

www.venturacaststone.com e-mail: mail@venturacaststone.com

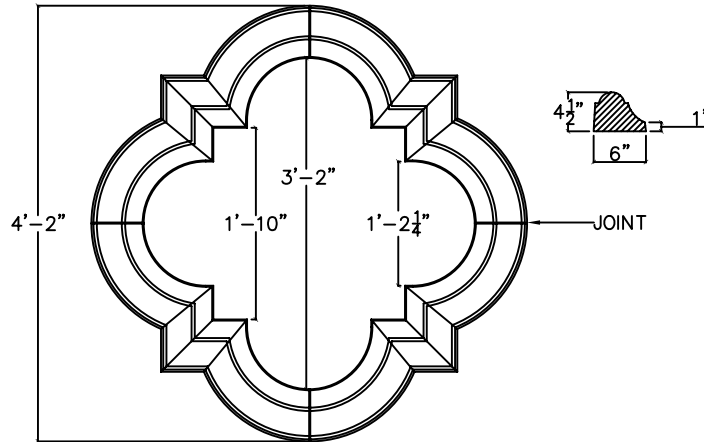
© Ventura Cast Stone, Inc

Drawn by: NG

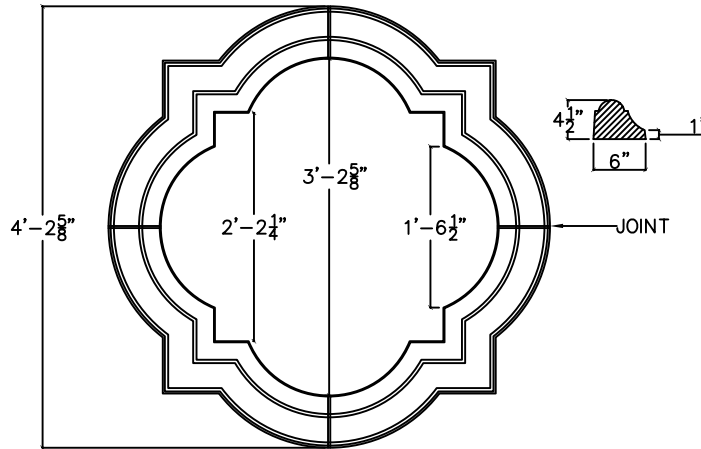
03-03-04

QUATREFOIL WINDOW SURROUNDS

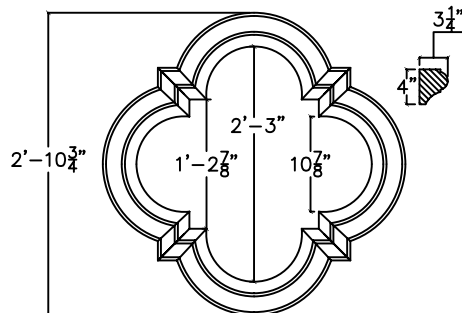
Q50
QUATREFOIL WINDOW



Q50A
QUATREFOIL WINDOW



Q35
QUATREFOIL WINDOW



NOT TO SCALE

Ventura Cast Stone, Inc.

(805) 386-8185 (805) 386-0808 Fax: (805) 671-9371 (800) 898-2332

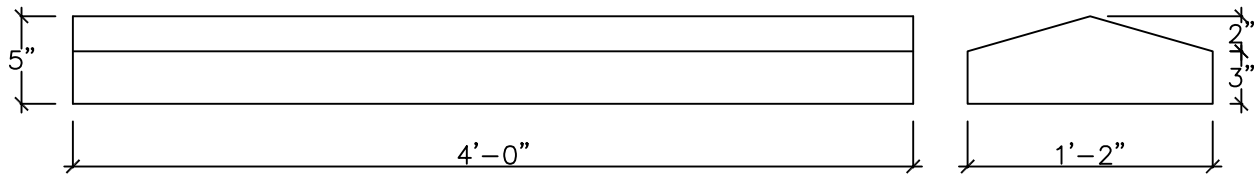
www.venturacaststone.com e-mail: mail@venturacaststone.com

© Ventura Cast Stone, Inc

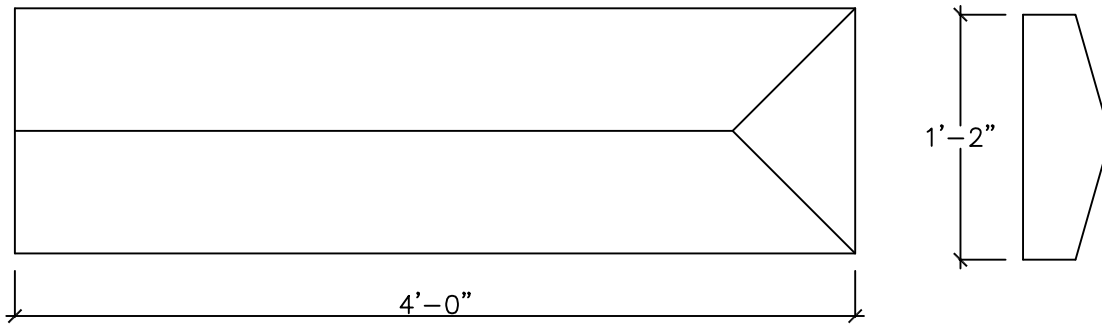
Drawn by: NG

03-03-04

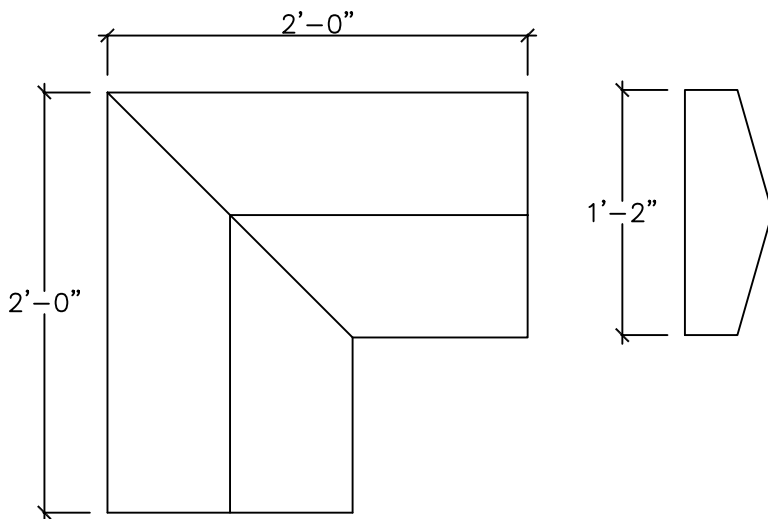
MARSALA 14 WALLCAP STRETCHER



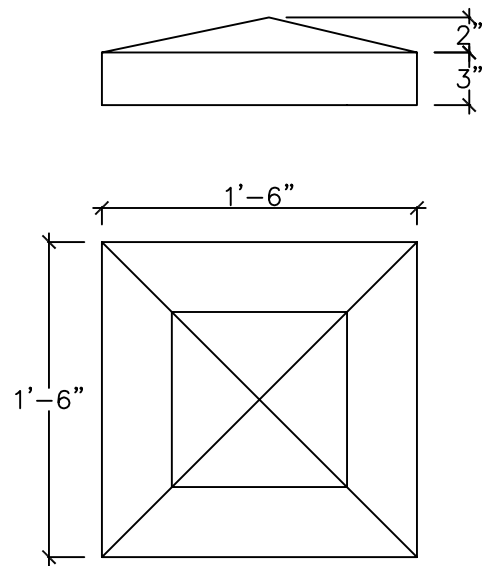
MARSALA 14 WALLCAP STOP END



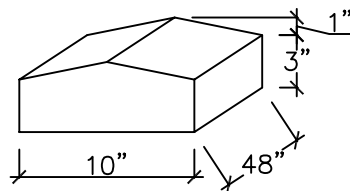
MARSALA 14 WALLCAP CORNER



MARSALA 18 PILASTER CAP



MARSALA 10 WALLCAP



NOT TO SCALE

Ventura Cast Stone, Inc.

(805) 386-8185 (805) 386-0808 Fax: (805) 671-9371 (800) 898-2332

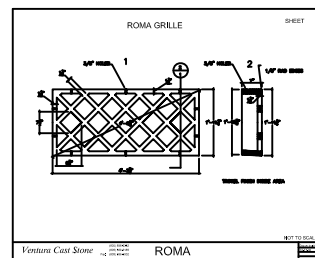
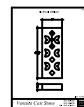
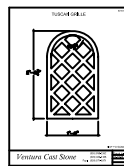
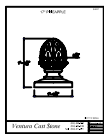
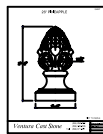
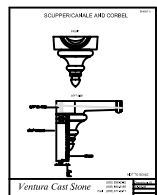
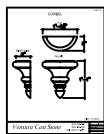
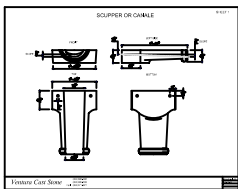
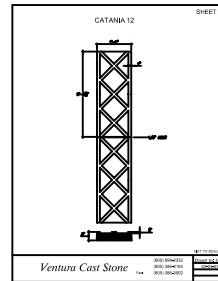
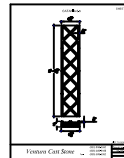
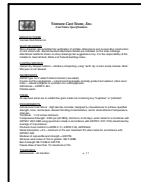
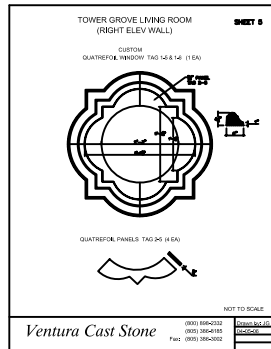
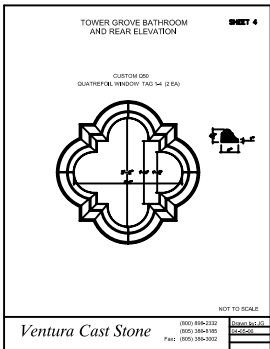
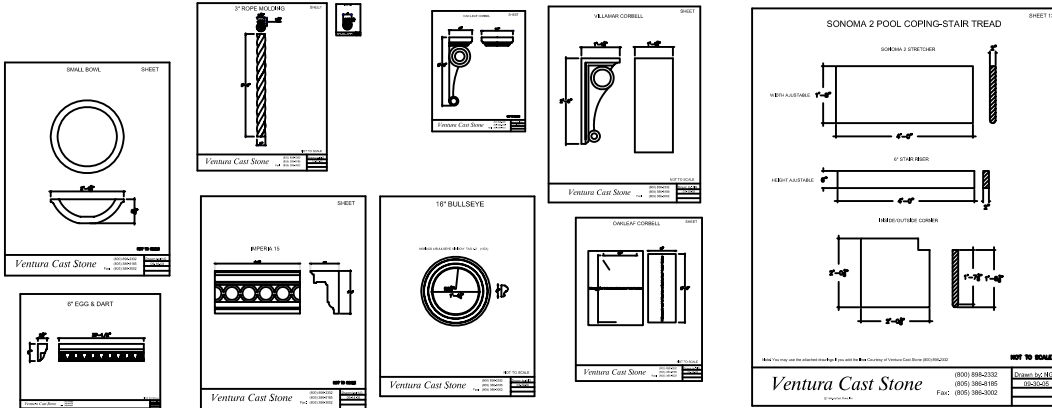
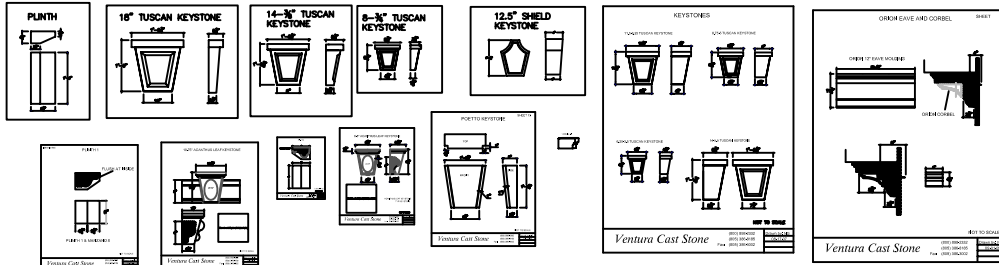
www.venturacaststone.com e-mail: mail@venturacaststone.com

© Ventura Cast Stone, Inc

Drawn by: NG

03-20-07

MISCLEANEOUS



CLICK ON SCUPPER DRAWINGS TO GO TO LARGER PAGE

Ventura Cast Stone

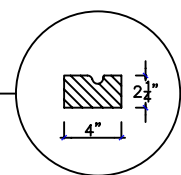
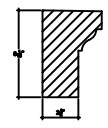
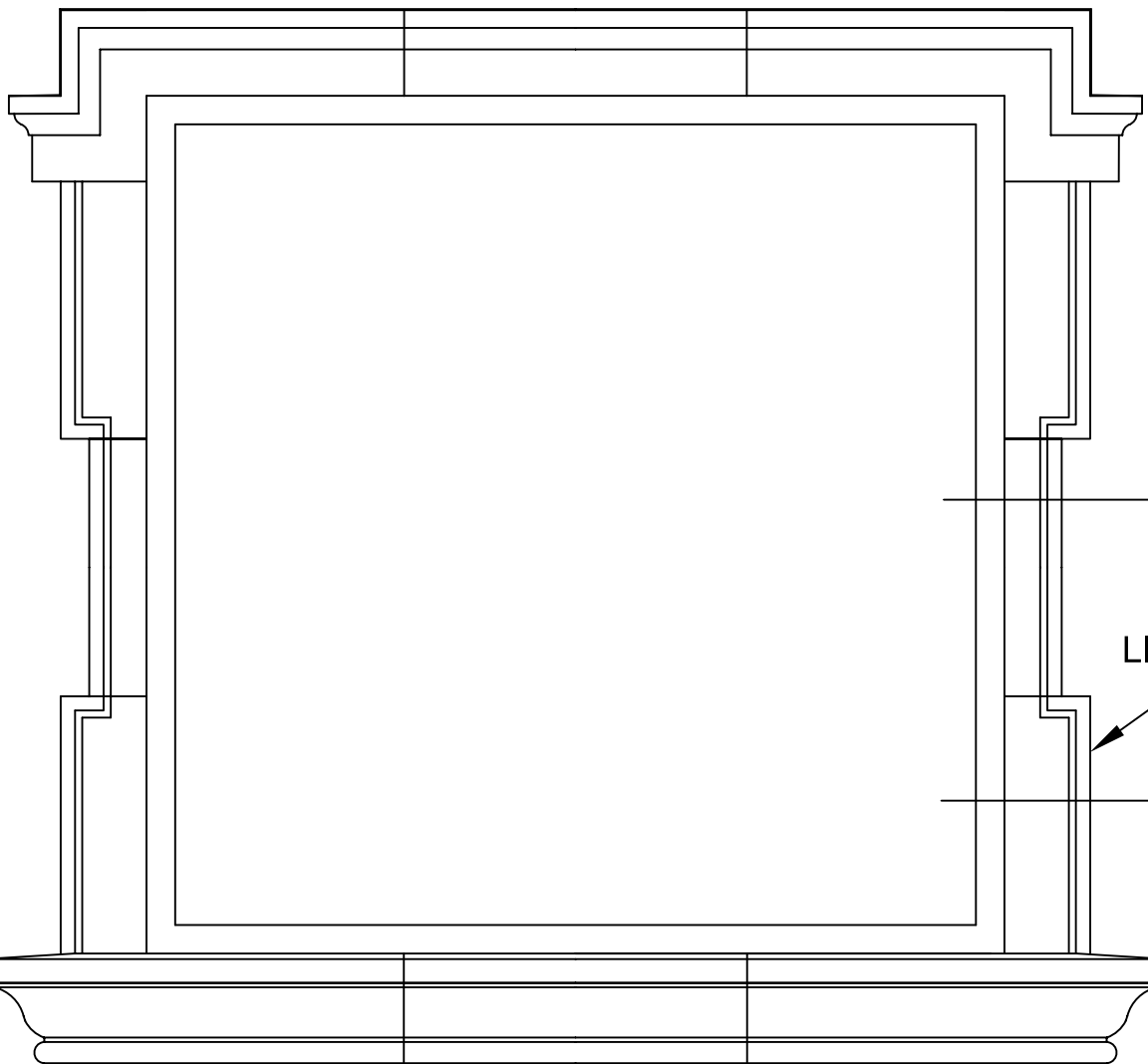
(800) 898-2332
(805) 386-8185
Fax: (805) 671-9371

Drawn by: JG
09-30-05

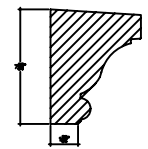
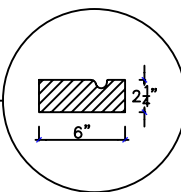
LIVORNO WINDOW/DOOR TRIM

SEE PAGES 17-18 FOR PROFILES

MILANO 6 HEAD



LIVORNO TRIM



ZIANO 6 SILL



NOT TO SCALE

Ventura Cast Stone, Inc.

(805) 386-8185 (805) 386-0808 Fax: (805) 386-3002 (800) 898-2332

www.venturacaststone.com e-mail: mail@venturacaststone.com

© Ventura Cast Stone, Inc

09-30-05

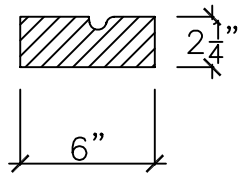
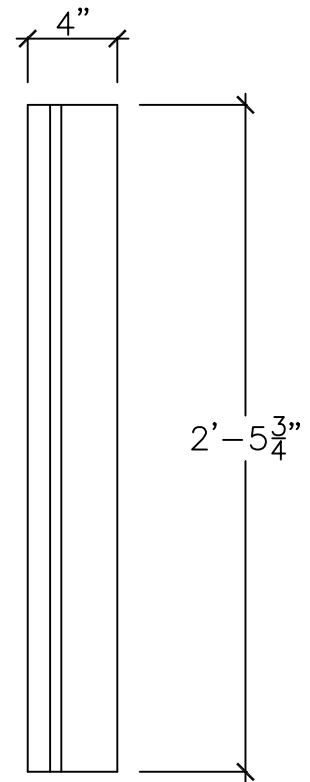
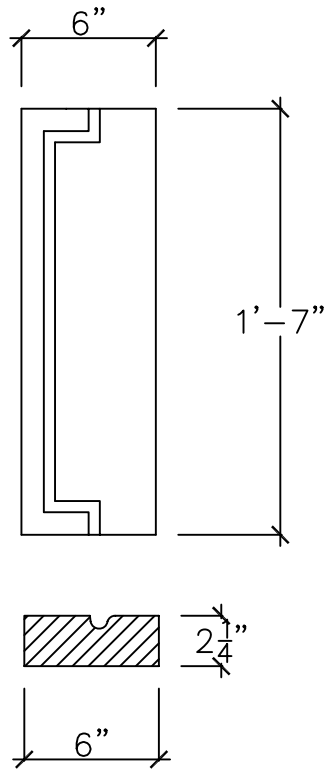
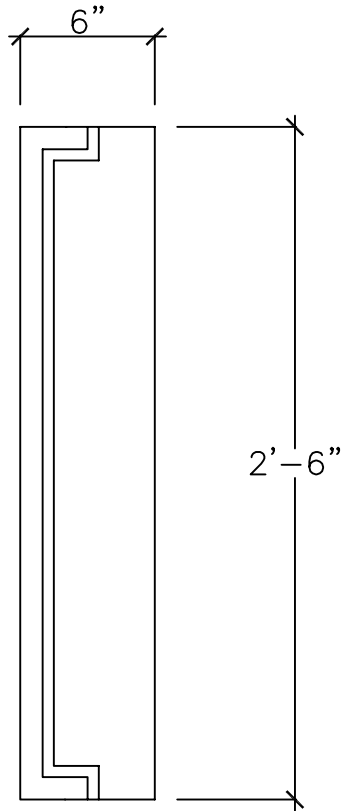
Drawn by: JG

LIVORNO WINDOW/DOOR TRIM

LIVORNO 6X30 D/STOP

LIVORNO 6X19 D/STOP

LIVORNO 4X30 STRETCHER



NOT TO SCALE

Ventura Cast Stone, Inc.

(805) 386-8185 (805) 386-0808 Fax: (805) 386-3002 (800) 898-2332

www.venturacaststone.com e-mail: mail@venturacaststone.com

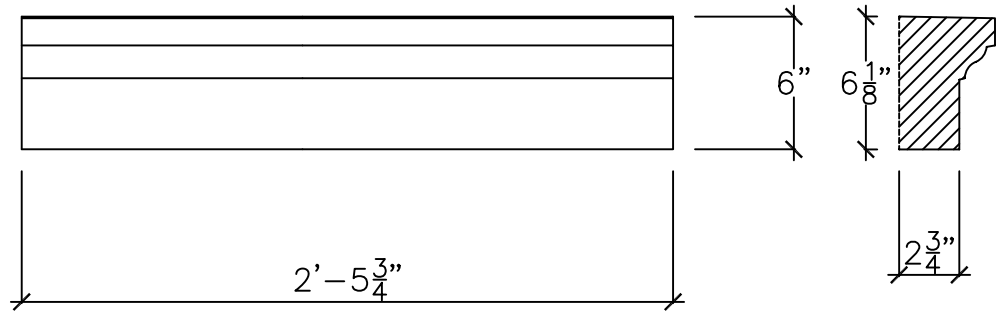
© Ventura Cast Stone, Inc

09-30-05

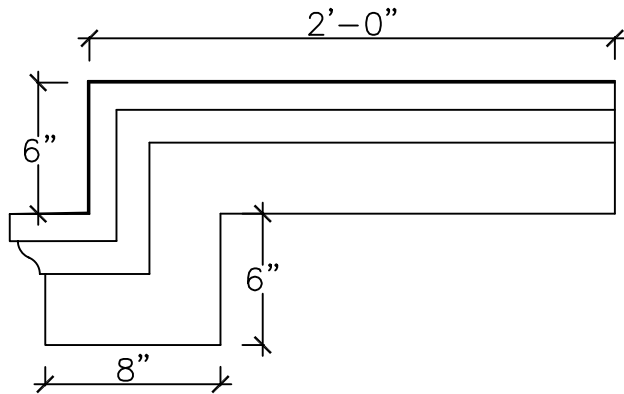
Drawn by: JG

TYP WIND/DOOR HEADER

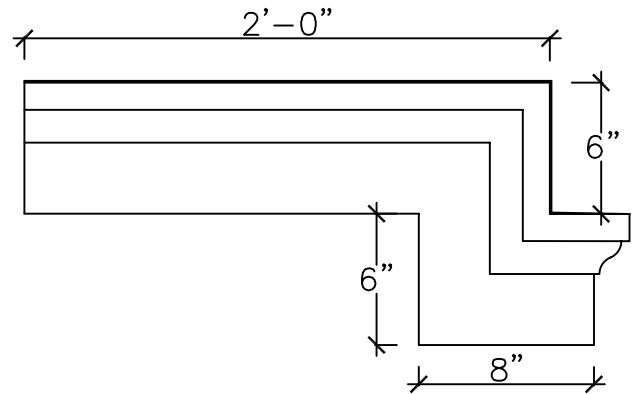
MILANO 30X6 STRETCHER



MILANO 6 LEFT DROPSTOP

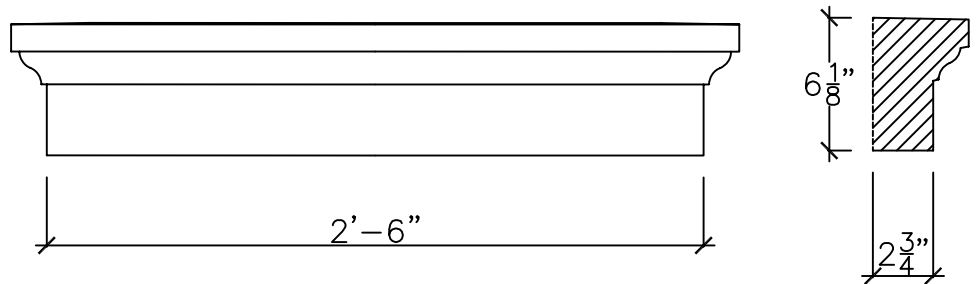


MILANO 6 RIGHT DROPSTOP



MILANO 6 DOUBLE STOP

CUT FOR TRANSITIONS AT RAD WINDOWS



NOT TO SCALE

Ventura Cast Stone, Inc.

(805) 386-8185 (805) 386-0808 Fax: (805) 386-3002 (800) 898-2332

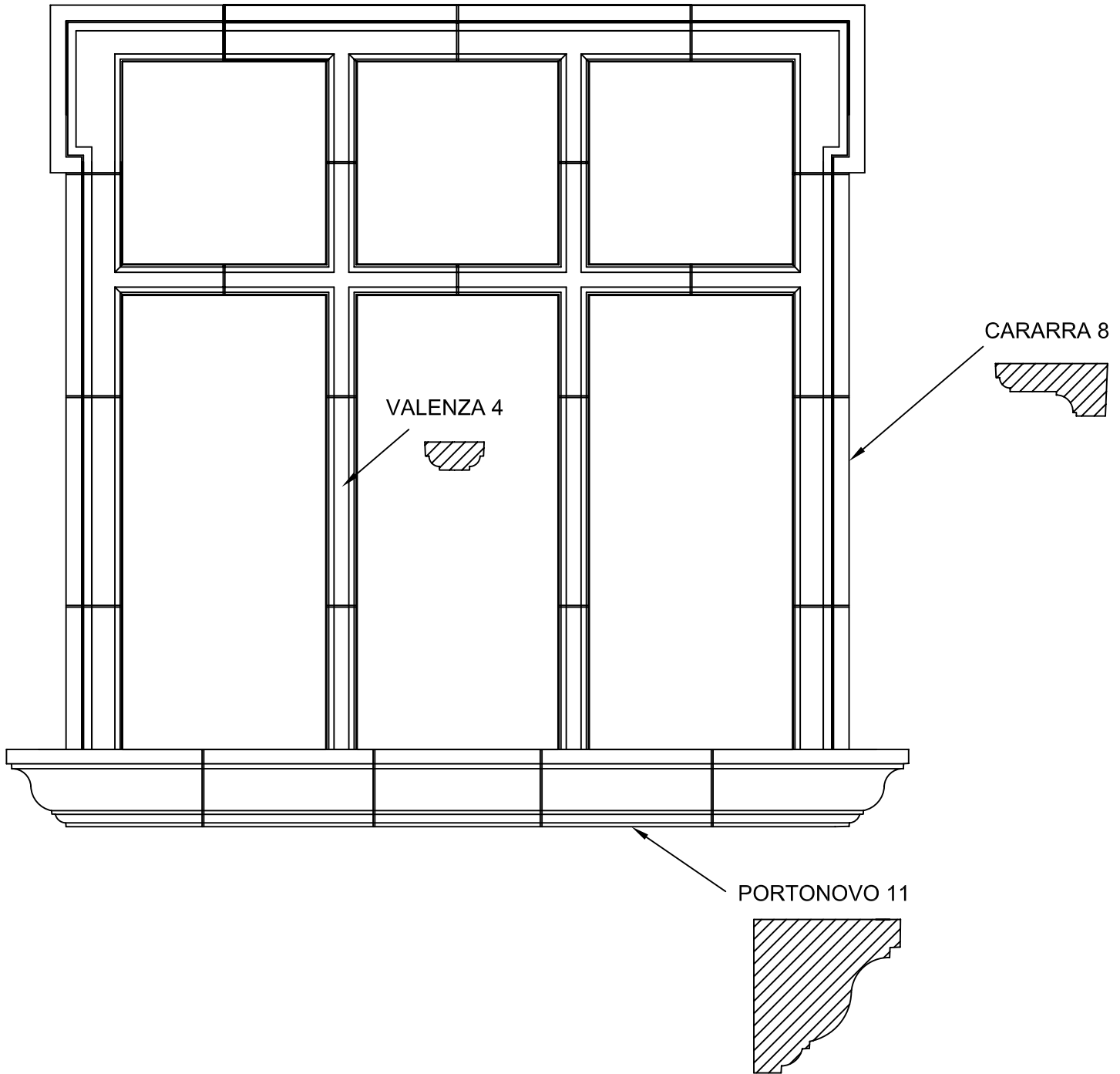
www.venturacaststone.com e-mail: mail@venturacaststone.com

© Ventura Cast Stone, Inc

09-30-05

Drawn by: JG

CARARRA 6 MULLION WINDOW



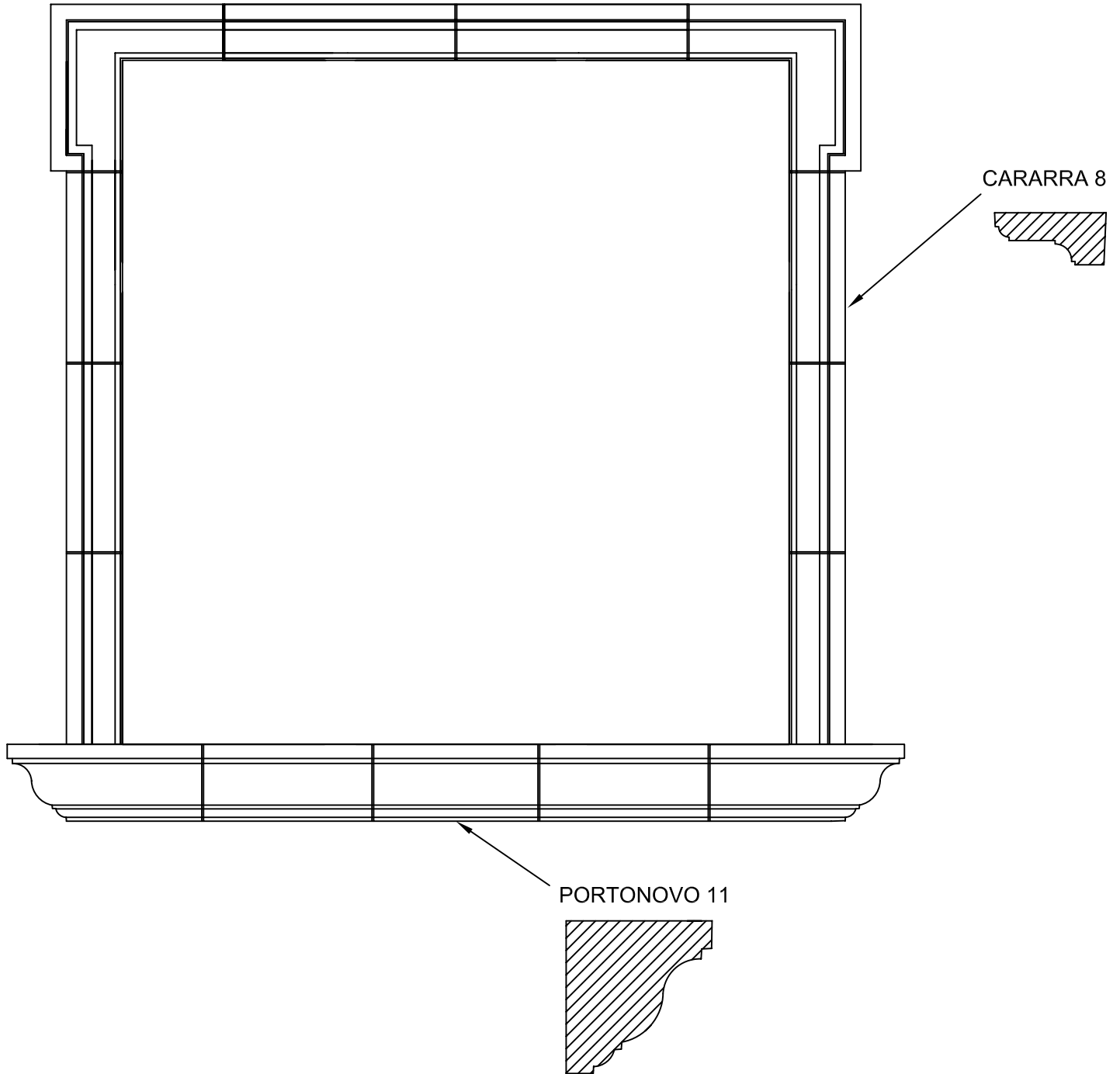
Ventura Cast Stone

© Ventura Cast Stone, Inc

(800) 898-2332
(805) 386-8185
Fax: (805) 386-3002

Drawn by: JG
09-30-05

CARARRA 6 WINDOW SURROUND



Ventura Cast Stone

© Ventura Cast Stone, Inc

(800) 898-2332

(805) 386-8185

Fax: (805) 386-3002

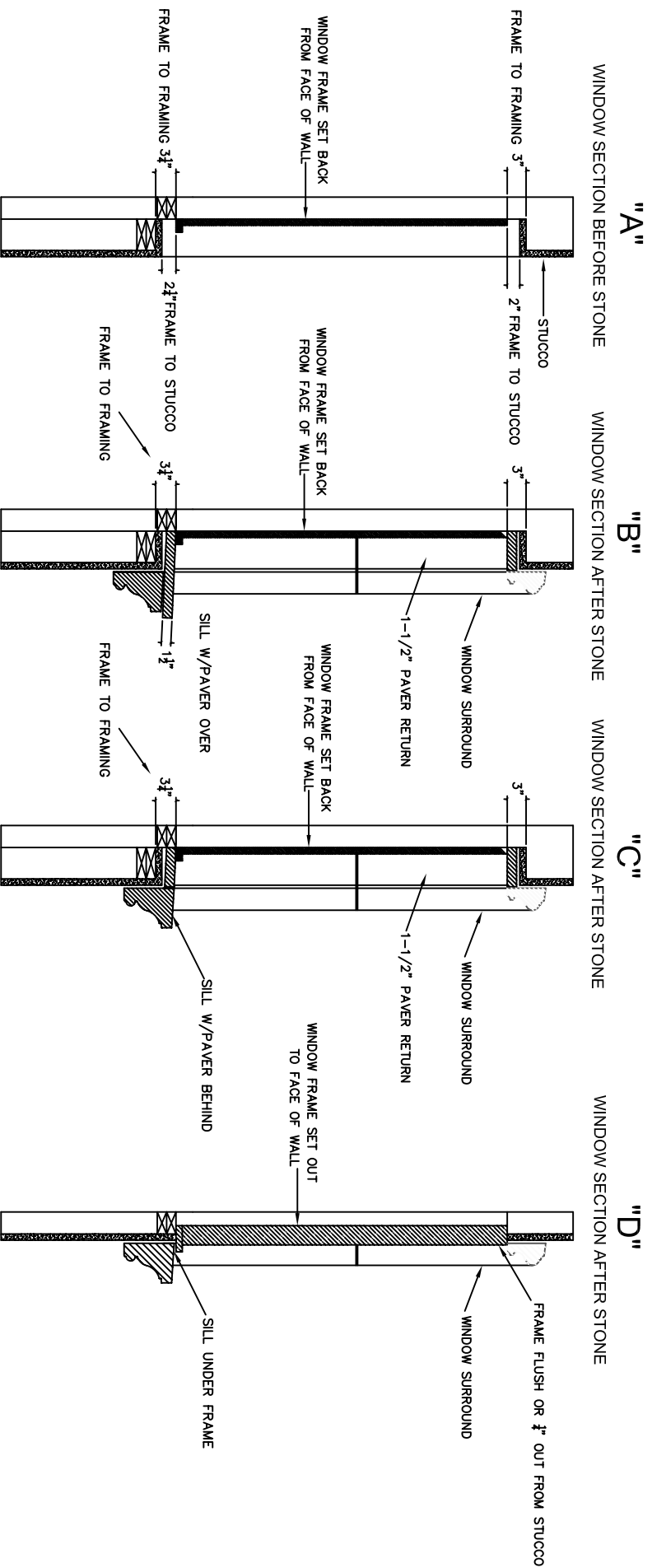
Drawn by: JG

09-30-05

TYPICAL WINDOW SURROUND TREATMENT

WINDOW FRAMES SET BACK FROM WALL LINE

WINDOW FRAME FLUSH WITH WALL LINE



NOT TO SCALE

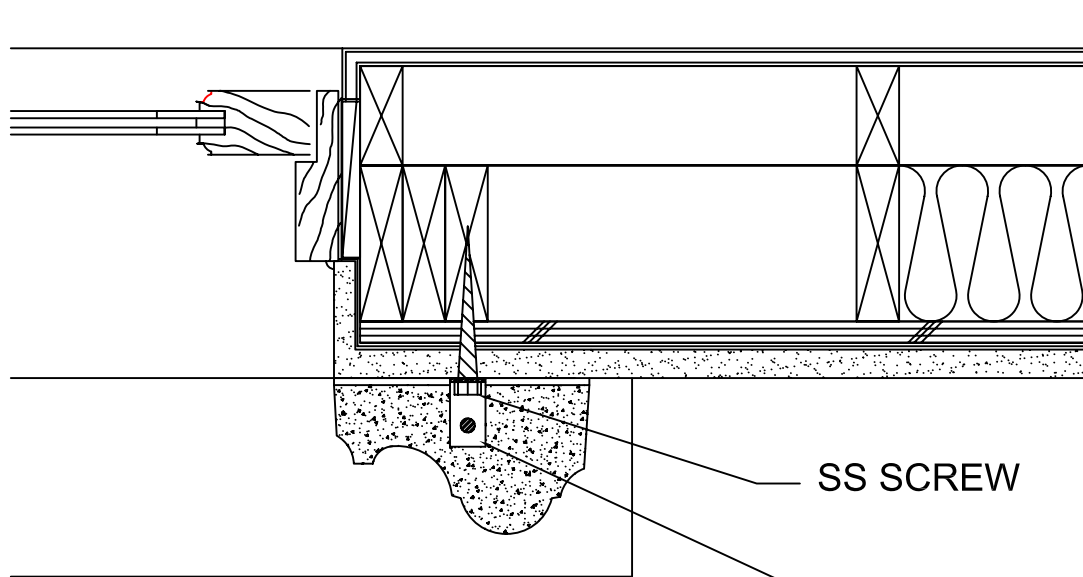
Ventura Cast Stone

© Ventura Cast Stone, Inc.

(800) 898-2332
 (805) 386-8185
 Fax: (805) 671-9371

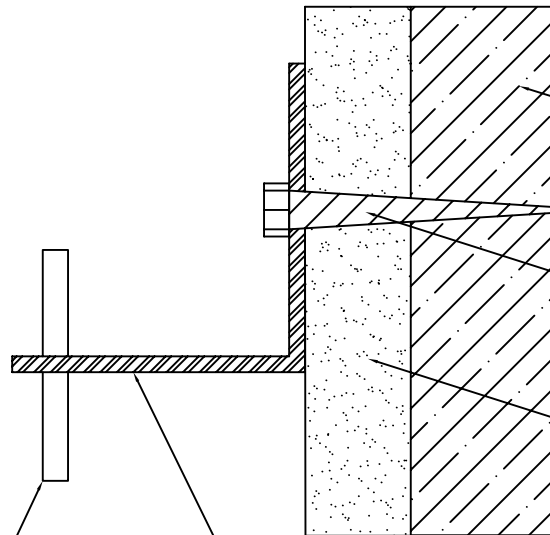
INSTALLATION

Drawn by: NG
 09-30-05



SS SCREW

1/8" SS STRAP
DRILL HOLES IN CAST STONE



WOOD FRAMING

SS SCREW

STUCCO

3/16" SS DOWEL WELDED

1/8" X 3/4" SS STRAP

THESE INSTALLATION DETAILS ARE ONLY A SUGGESTION AND MAY NOT COMPLY WITH YOUR CITY OR STATE CODE
 VENTURA CAST STONE, INC. IS NOT RESPONSIBLE FOR INSTALLATION FAILURES
 WE STRONGLY RECCOMEND INSTALLATION TO BE DONE BY PROFESSIONALS

NOT TO SCALE

Ventura Cast Stone

© Ventura Cast Stone, Inc

(800) 898-2332

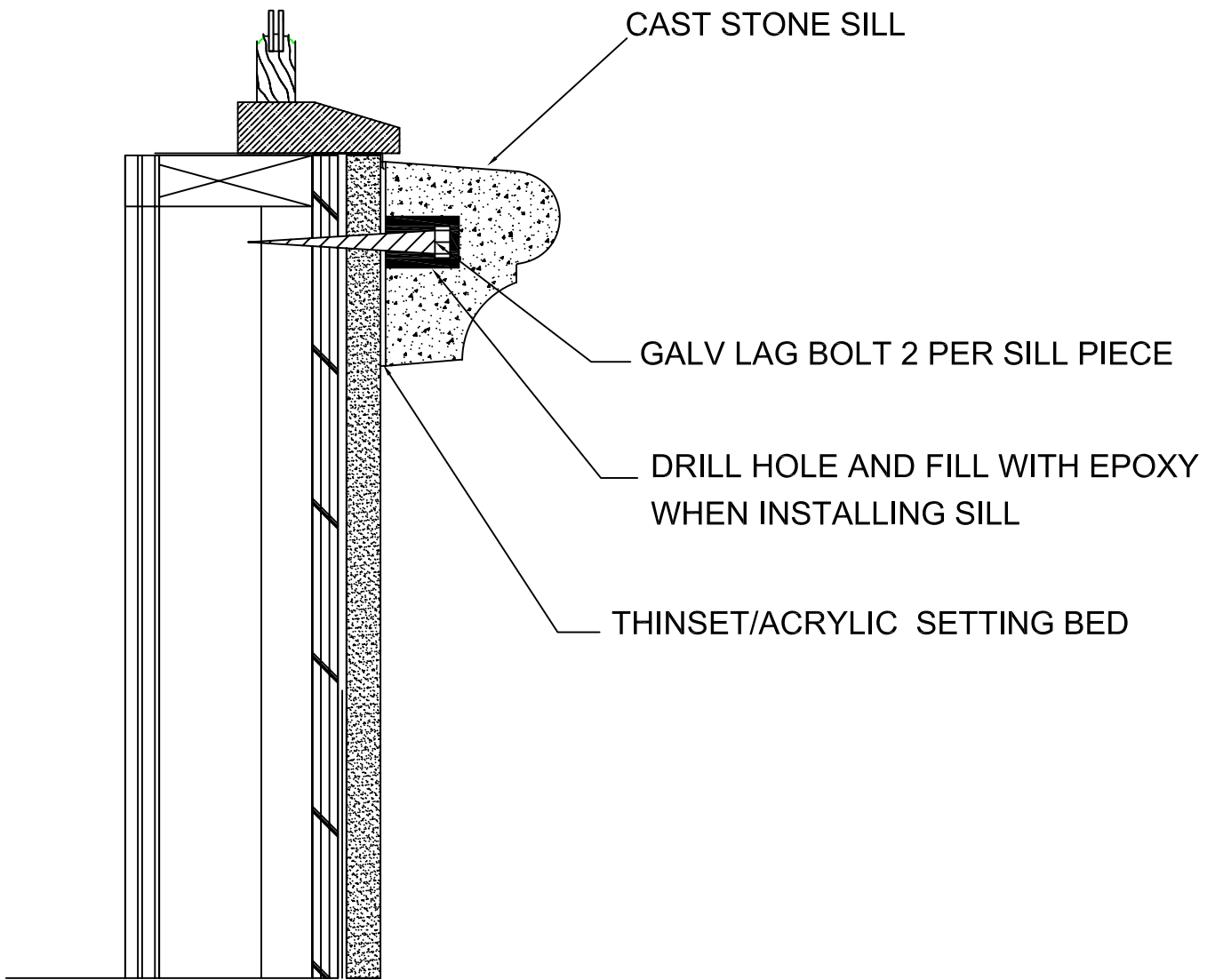
(805) 386-8185

Fax: (805) 386-3002

Drawn by: NG

6-21-02

SILL SECTION "A" INSTALLATION DETAIL



THESE INSTALLATION DETAILS ARE ONLY A SUGGESTION AND MAY NOT COMPLY WITH YOUR CITY OR STATE CODE

VENTURA CAST STONE, INC. IS NOT RESPONSIBLE FOR INSTALLATION FAILURES

WE STRONGLY RECCOMEND INSTALLATION TO BE DONE BY PROFESSIONALS

NOT TO SCALE

Ventura Cast Stone

© Ventura Cast Stone, Inc

(800) 898-2332

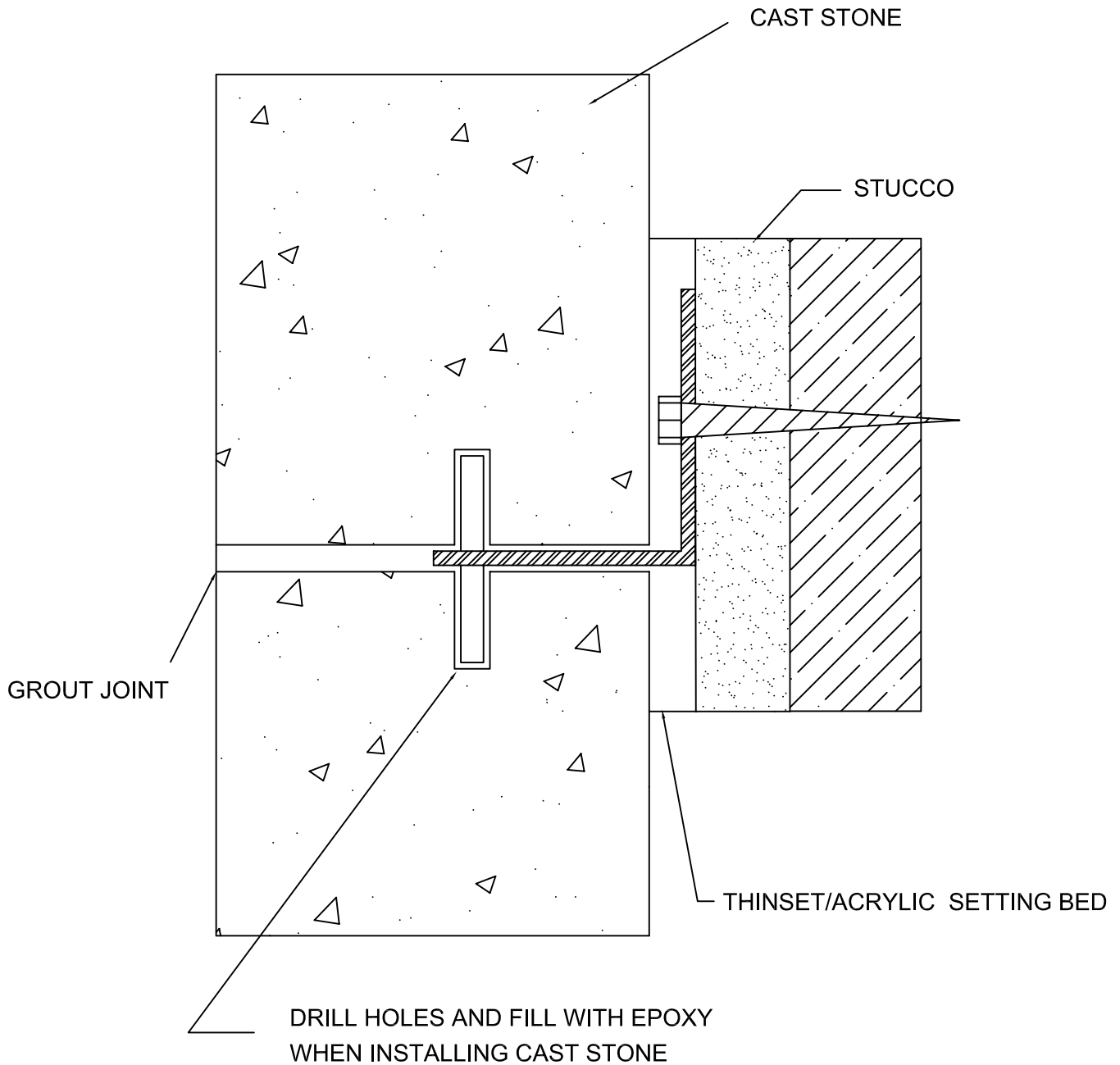
(805) 386-8185

Fax: (805) 386-3002

Drawn by: NG

6-21-02

INSTALLATION DETAIL STRAP AND PIN AT EACH JOINT



THESE INSTALLATION DETAILS ARE ONLY A SUGGESTION AND MAY NOT COMPLY WITH YOUR CITY OR STATE CODE

VENTURA CAST STONE, INC. IS NOT RESPONSIBLE FOR INSTALLATION FAILURES

WE STRONGLY RECCOMEND INSTALLATION TO BE DONE BY PROFESSIONALS

NOT TO SCALE

Ventura Cast Stone

© Ventura Cast Stone, Inc

(800) 898-2332

(805) 386-8185

Fax: (805) 386-3002

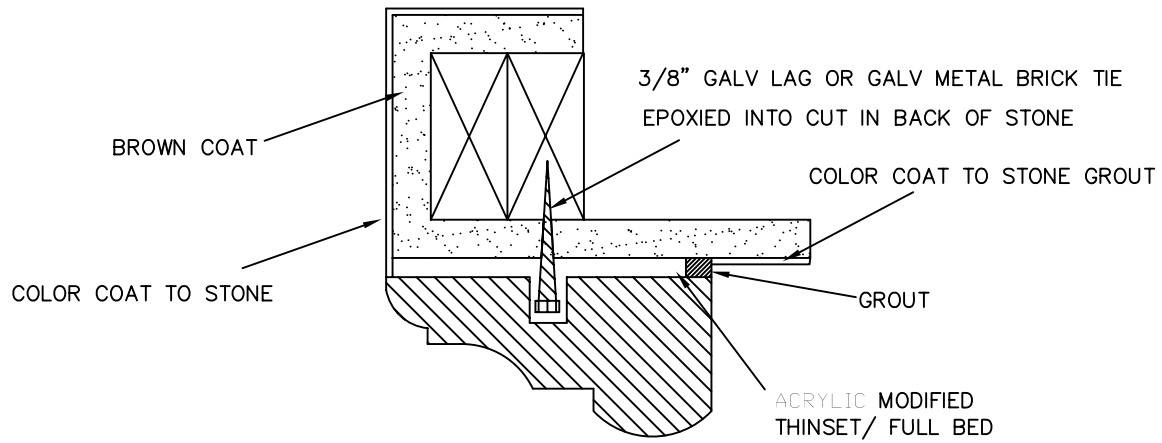
Drawn by: NG

6-21-02

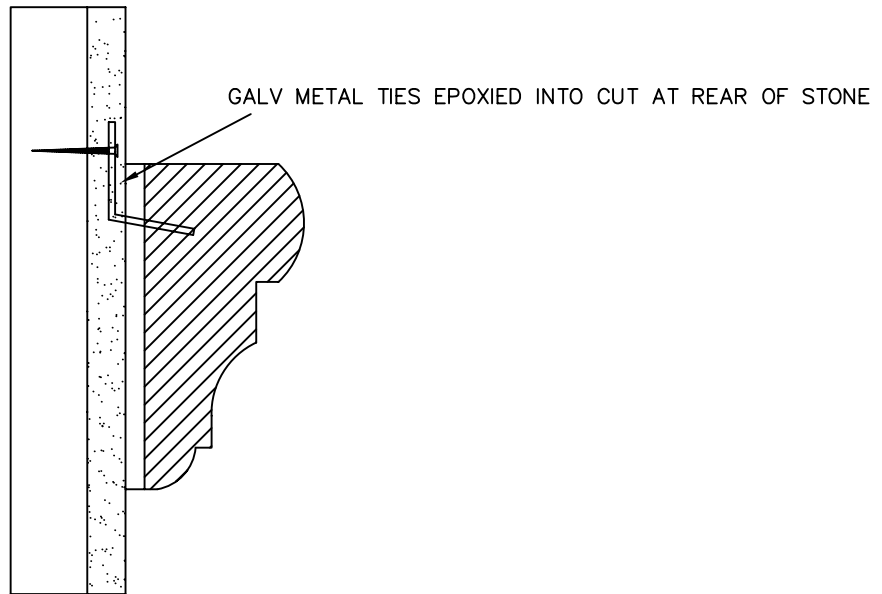
ATTACHMENT SECTIONS

CAST STONE TO BE ATTACHED TO BROWNCOAT

VERTICAL ATTACHMENT



HORIZONTAL ATTACHMENT



Ventura Cast Stone

© Ventura Cast Stone, Inc

(800) 898-2332

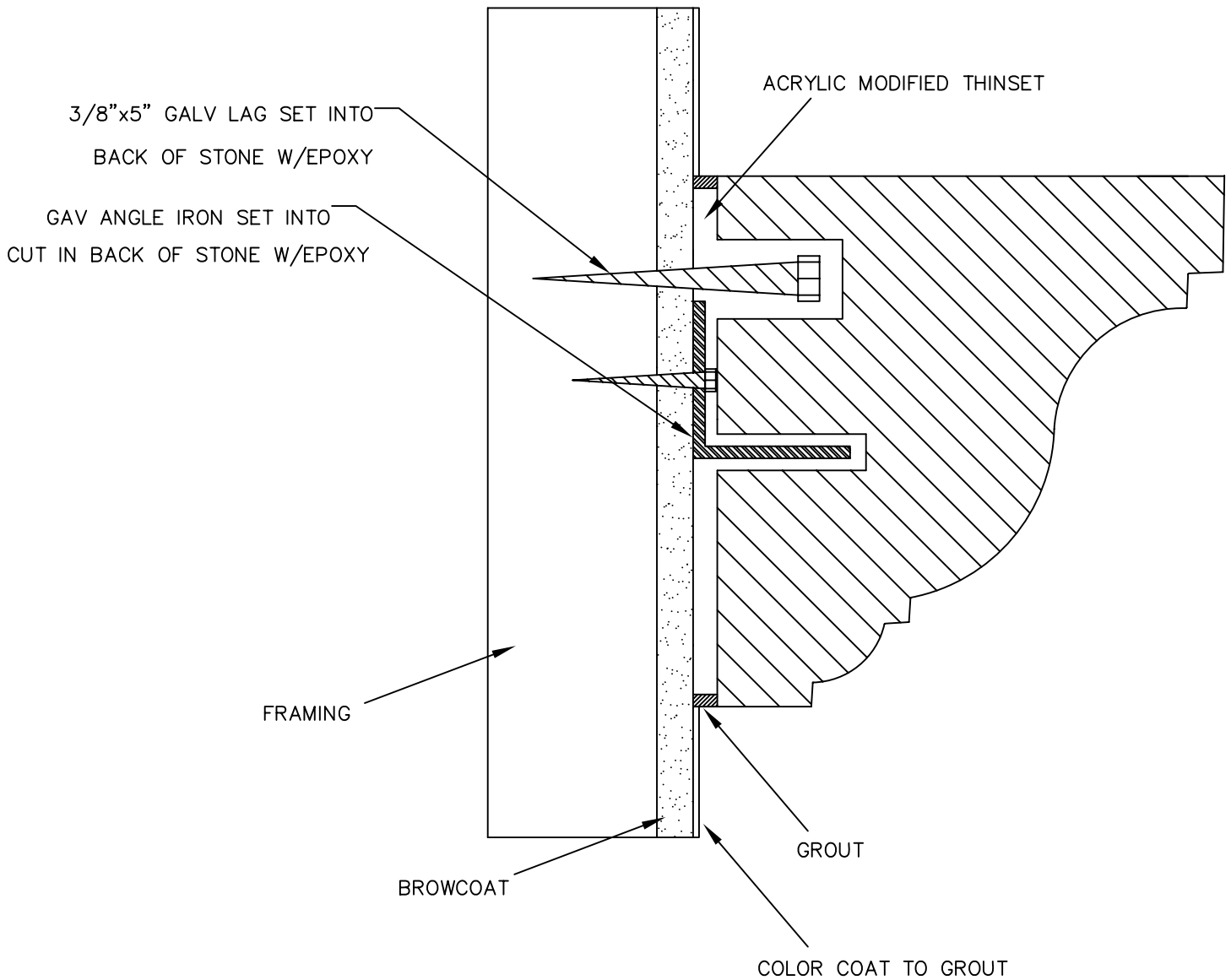
(805) 386-8185

Fax: (805) 386-3002

Drawn by: JG

11-18-04

LARGE MOLDING ATTACHMENT



THESE INSTALLATION DETAILS ARE ONLY A SUGGESTION AND MAY NOT COMPLY WITH YOUR CITY OR STATE CODE

VENTURA CAST STONE, INC. IS NOT RESPONSIBLE FOR INSTALLATION FAILURES

WE STRONGLY RECCOMEND INSTALLATION TO BE DONE BY PROFESSIONALS

NOT TO SCALE

Ventura Cast Stone

© Ventura Cast Stone, Inc

(800) 898-2332

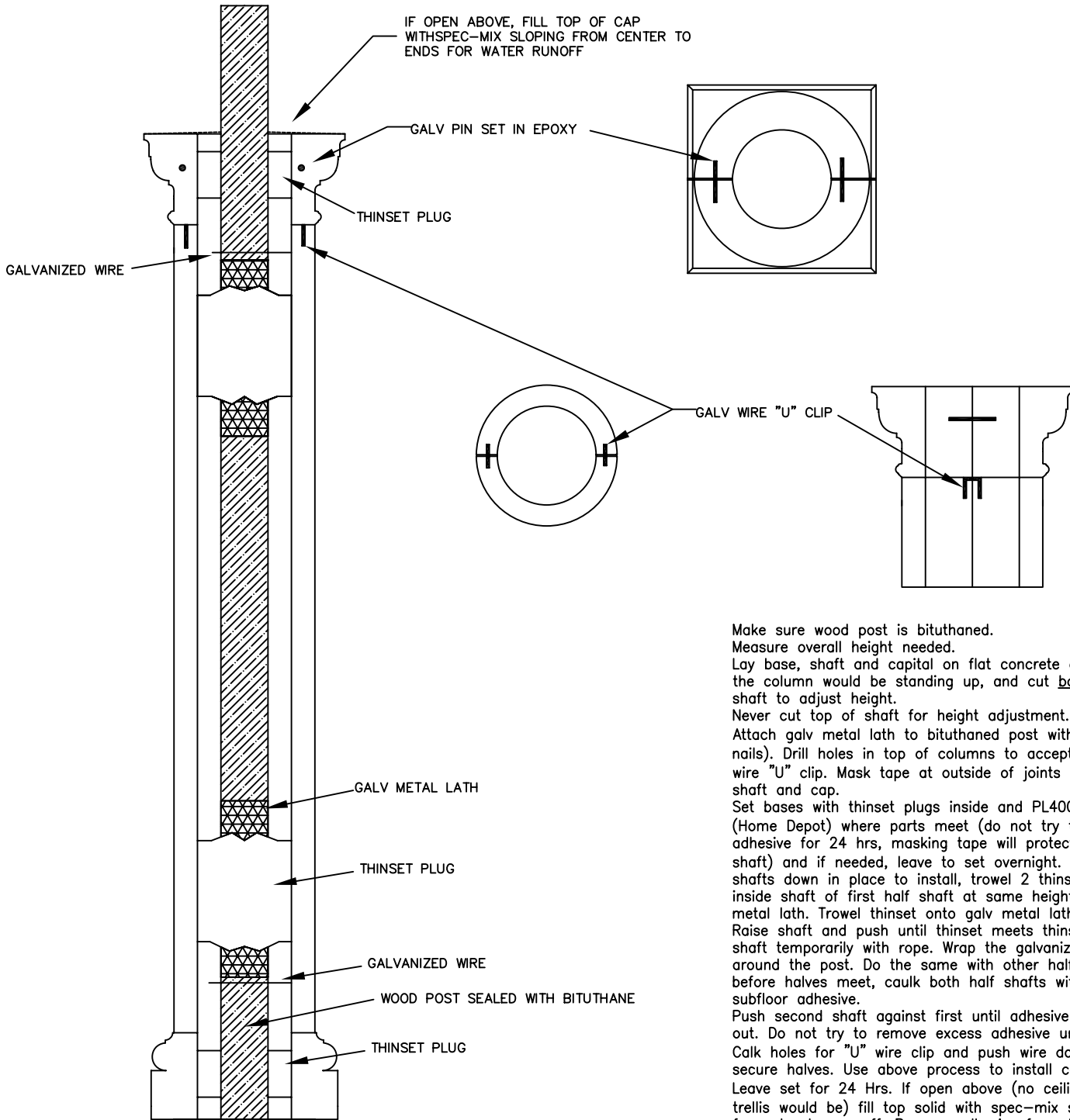
(805) 386-8185

Fax: (805) 386-3002

Drawn by: NG

07-10-03

COLUMN INSTALLATION DETAILS



IF OPEN ABOVE, FILL TOP OF CAP WITH SPEC-MIX SLOPING FROM CENTER TO ENDS FOR WATER RUNOFF

GALV PIN SET IN EPOXY

THINSET PLUG

GALVANIZED WIRE

GALV METAL LATH

THINSET PLUG

GALVANIZED WIRE

WOOD POST SEALED WITH BITUTHANE

THINSET PLUG

GALV WIRE "U" CLIP

Make sure wood post is bituthaned.
 Measure overall height needed.
 Lay base, shaft and capital on flat concrete area as if the column would be standing up, and cut bottom of shaft to adjust height.
 Never cut top of shaft for height adjustment.
 Attach galv metal lath to bituthaned post with wire (no nails). Drill holes in top of columns to accept the galv wire "U" clip. Mask tape at outside of joints of base, shaft and cap.
 Set bases with thinset plugs inside and PL400 adhesive (Home Depot) where parts meet (do not try to remove adhesive for 24 hrs, masking tape will protect column shaft) and if needed, leave to set overnight. Lay column shafts down in place to install, trowel 2 thinset plugs inside shaft of first half shaft at same height as galv metal lath. Trowel thinset onto galv metal lath on post. Raise shaft and push until thinset meets thinset. secure shaft temporarily with rope. Wrap the galvanized wires around the post. Do the same with other half shaft but before halves meet, caulk both half shafts with PL2000 subfloor adhesive.
 Push second shaft against first until adhesive squeezes out. Do not try to remove excess adhesive until next day. Caulk holes for "U" wire clip and push wire down to secure halves. Use above process to install capital halves. Leave set for 24 Hrs. If open above (no ceiling as a trellis would be) fill top solid with spec-mix sloping top for water to run off. Remove adhesive from joints, leaving 1/4" deep for grout.
 Grout all joints and remove masking tape.
 Plug top of column with grout material if open to sky (i.e. trellis) leaving slope for water runoff.

THESE INSTALLATION DETAILS ARE ONLY A SUGGESTION AND MAY NOT COMPLY WITH YOUR CITY OR STATE CODE
 VENTURA CAST STONE, INC. IS NOT RESPONSIBLE FOR INSTALLATION FAILURES
 WE STRONGLY RECCOMEND INSTALLATION TO BE DONE BY PROFESSIONALS

NOT TO SCALE

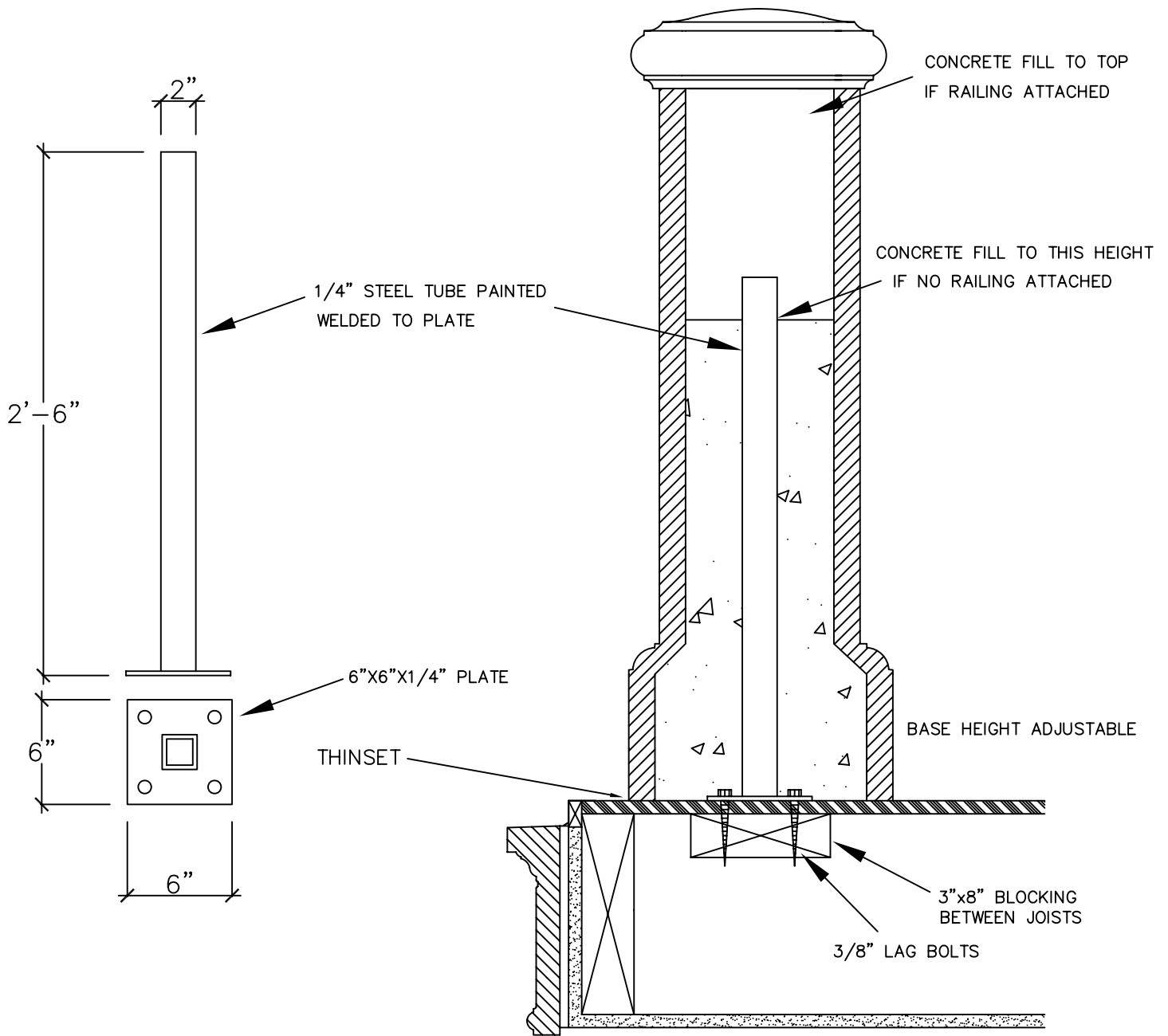
Ventura Cast Stone

© Ventura Cast Stone, Inc

(800) 898-2332
 (805) 386-8185
 Fax: (805) 671-9371

Drawn by: NG
 09-30-05

PESARO 12 PEDESTAL INSTALLATION #1



THESE INSTALLATION DETAILS ARE ONLY A SUGGESTION AND MAY NOT COMPLY WITH YOUR CITY OR STATE CODE

VENTURA CAST STONE, INC. IS NOT RESPONSIBLE FOR INSTALLATION FAILURES

WE STRONGLY RECCOMEND INSTALLATION TO BE DONE BY PROFESSIONALS

NOT TO SCALE

Ventura Cast Stone

© Ventura Cast Stone, Inc

(800) 898-2332

(805) 386-8185

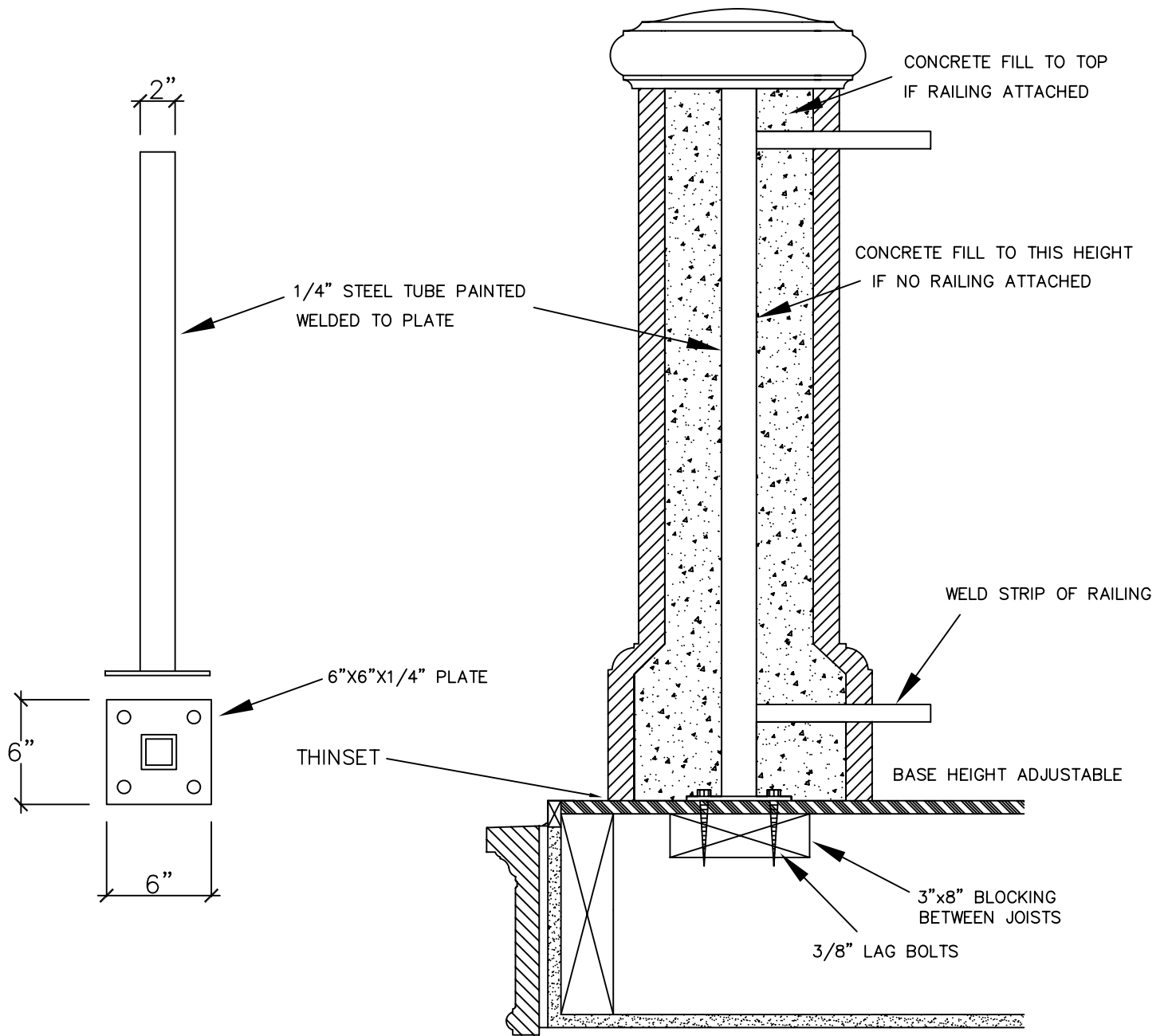
Fax: (805) 386-3002

McDADE

04-27-05

Drawn by: JG

PESARO 12 PEDESTAL INSTALLATION #2



THESE INSTALLATION DETAILS ARE ONLY A SUGGESTION AND MAY NOT COMPLY WITH YOUR CITY OR STATE CODE
 VENTURA CAST STONE, INC. IS NOT RESPONSIBLE FOR INSTALLATION FAILURES
 WE STRONGLY RECCOMEND INSTALLATION TO BE DONE BY PROFESSIONALS

NOT TO SCALE

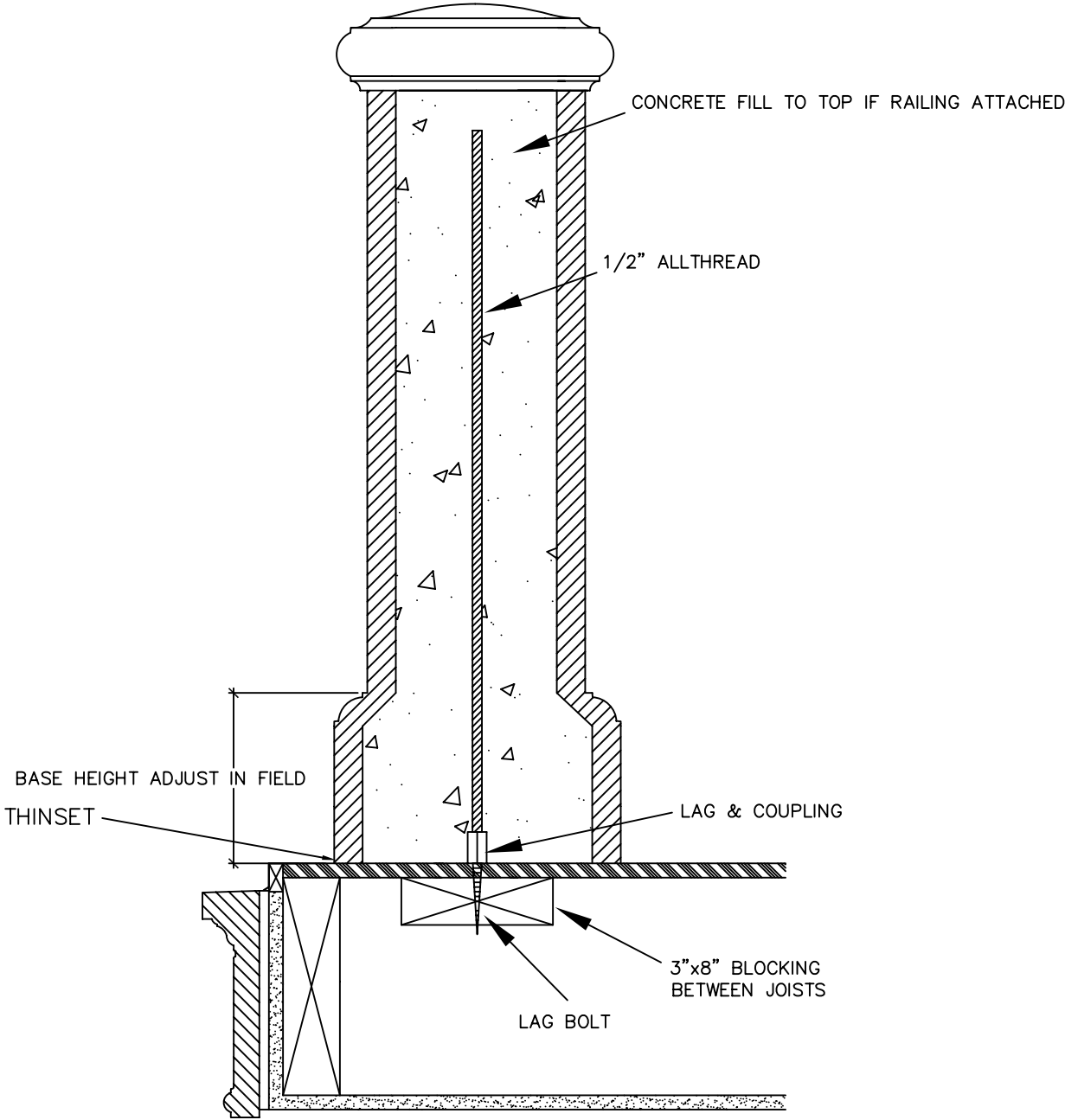
Ventura Cast Stone

© Ventura Cast Stone, Inc

(800) 898-2332
 (805) 386-8185
 Fax: (805) 386-3002

McDADE
04-27-05
Drawn by: JG

PESARO 12 PEDESTAL INSTALLATION #3



THESE INSTALLATION DETAILS ARE ONLY A SUGGESTION AND MAY NOT COMPLY WITH YOUR CITY OR STATE CODE
 VENTURA CAST STONE, INC. IS NOT RESPONSIBLE FOR INSTALLATION FAILURES
 WE STRONGLY RECCOMEND INSTALLATION TO BE DONE BY PROFESSIONALS

NOT TO SCALE

Ventura Cast Stone

© Ventura Cast Stone, Inc

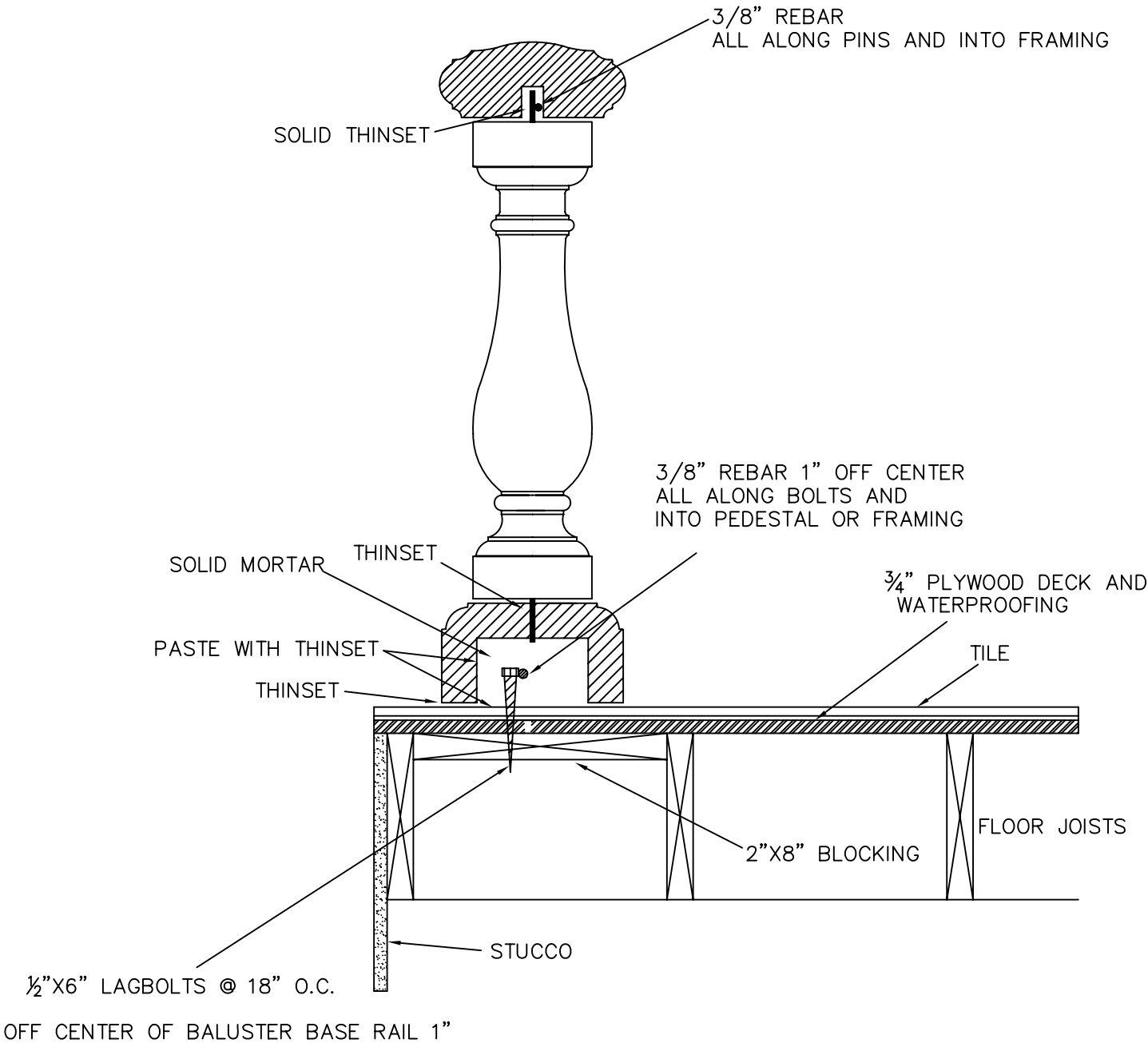
(800) 898-2332

(805) 386-8185

Fax: (805) 386-3002

McDADE
04-27-05
Drawn by: JG

3 PC BALUSTER INSTALLATION #1



THESE INSTALLATION DETAILS ARE ONLY A SUGGESTION AND MAY NOT COMPLY WITH YOUR CITY OR STATE CODE
 VENTURA CAST STONE, INC. IS NOT RESPONSIBLE FOR INSTALLATION FAILURES
 WE STRONGLY RECCOMEND INSTALLATION TO BE DONE BY PROFESSIONALS

NOT TO SCALE

Ventura Cast Stone

© Ventura Cast Stone, Inc

(800) 898-2332

(805) 386-8185

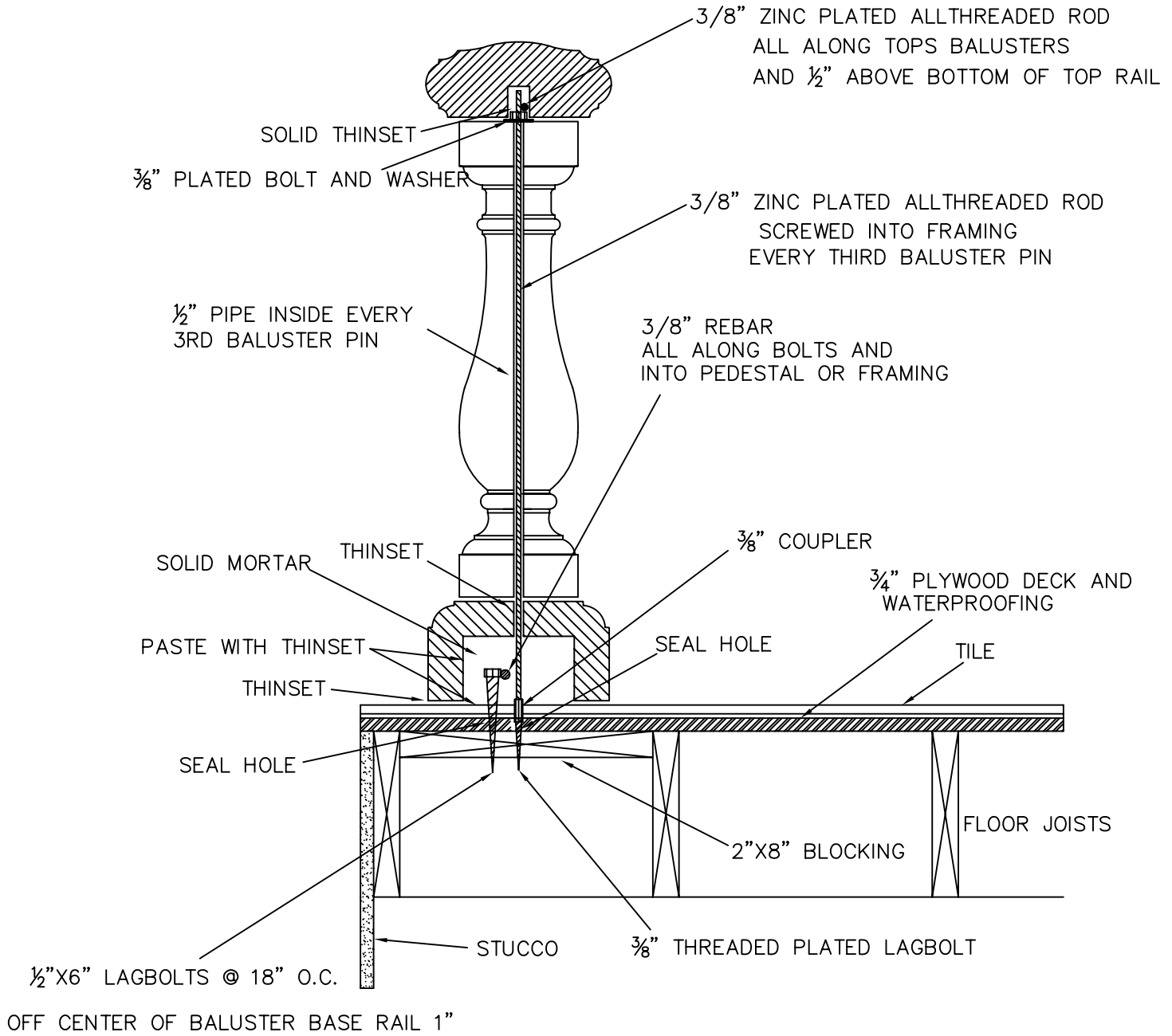
Fax: (805) 386-3002

INSTALL

04-27-05

Drawn by: JG

3 PC BALUSTER INSTALLATION #1
EVERY THIRD BALUSTER



THESE INSTALLATION DETAILS ARE ONLY A SUGGESTION AND MAY NOT COMPLY WITH YOUR CITY OR STATE CODE
 VENTURA CAST STONE, INC. IS NOT RESPONSIBLE FOR INSTALLATION FAILURES
 WE STRONGLY RECCOMEND INSTALLATION TO BE DONE BY PROFESSIONALS

NOT TO SCALE

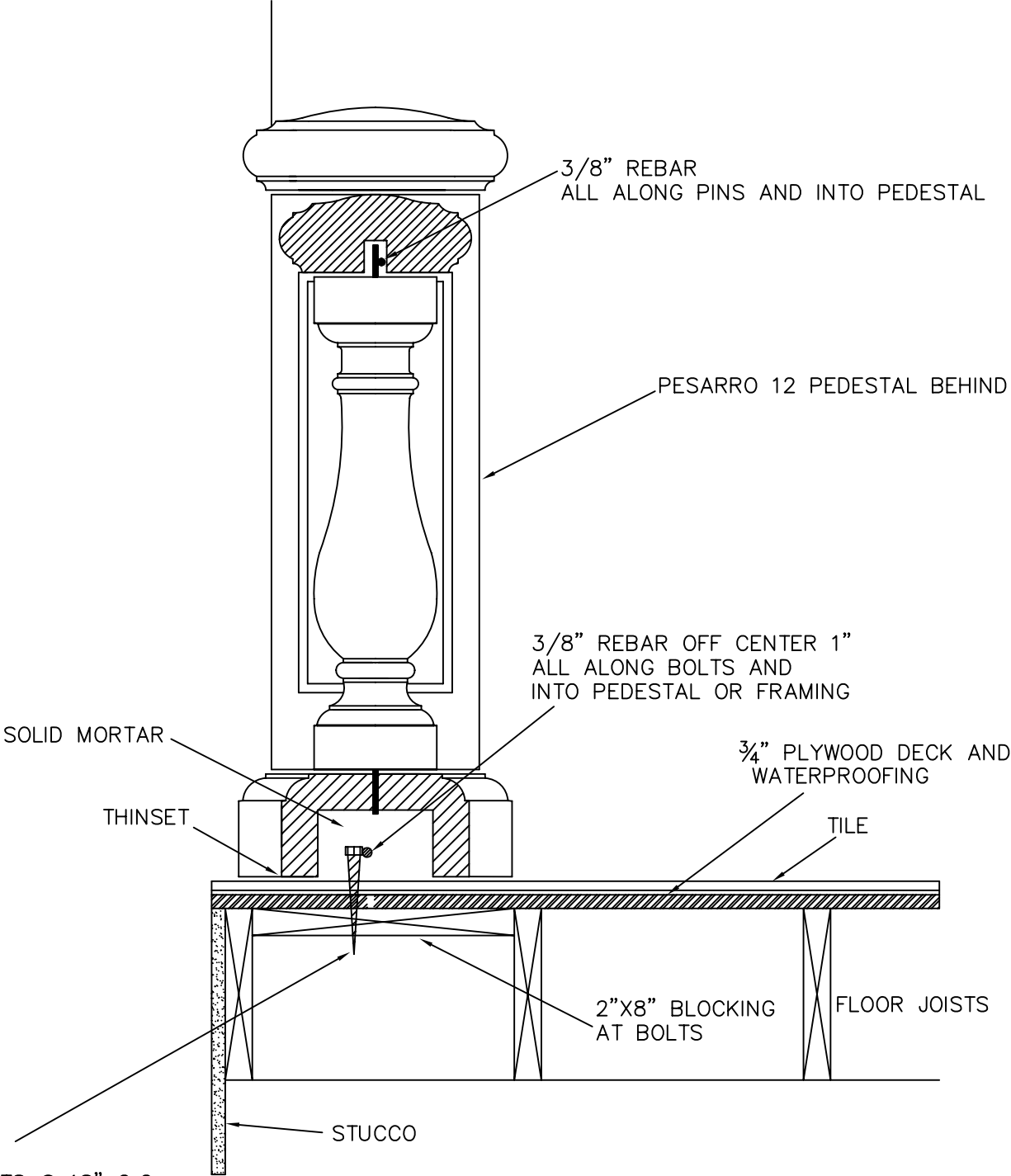
Ventura Cast Stone

© Ventura Cast Stone, Inc

(800) 898-2332
 (805) 386-8185
 Fax: (805) 671-9371

INSTALL
04-27-05
Drawn by: JG

3 PC BALUSTER AND PEDESTAL INSTALLATION #1



1/2"x6" LAGBOLTS @ 18" O.C.

OFF CENTER OF BALUSTER BASE RAIL 1"

THESE INSTALLATION DETAILS ARE ONLY A SUGGESTION AND MAY NOT COMPLY WITH YOUR CITY OR STATE CODE

VENTURA CAST STONE, INC. IS NOT RESPONSIBLE FOR INSTALLATION FAILURES

WE STRONGLY RECCOMEND INSTALLATION TO BE DONE BY PROFESSIONALS

NOT TO SCALE

Ventura Cast Stone

© Ventura Cast Stone, Inc

(800) 898-2332

(805) 386-8185

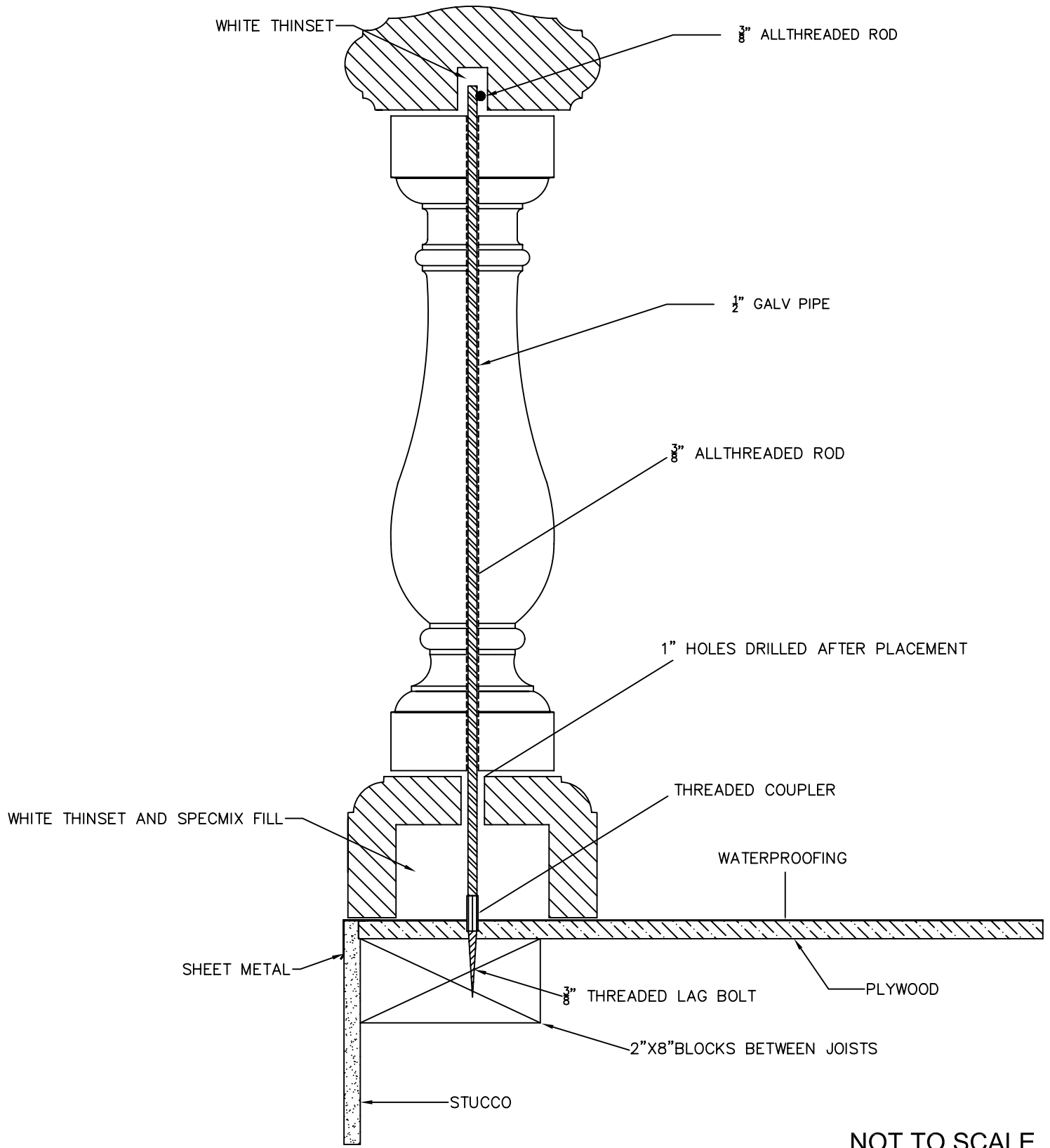
Fax: (805) 386-3002

INSTALL

04-27-05

Drawn by: JG

BALUSTER INSTALLATION DETAIL FOR WOOD DECK
 75% OF PINS TO HAVE THIS DETAIL



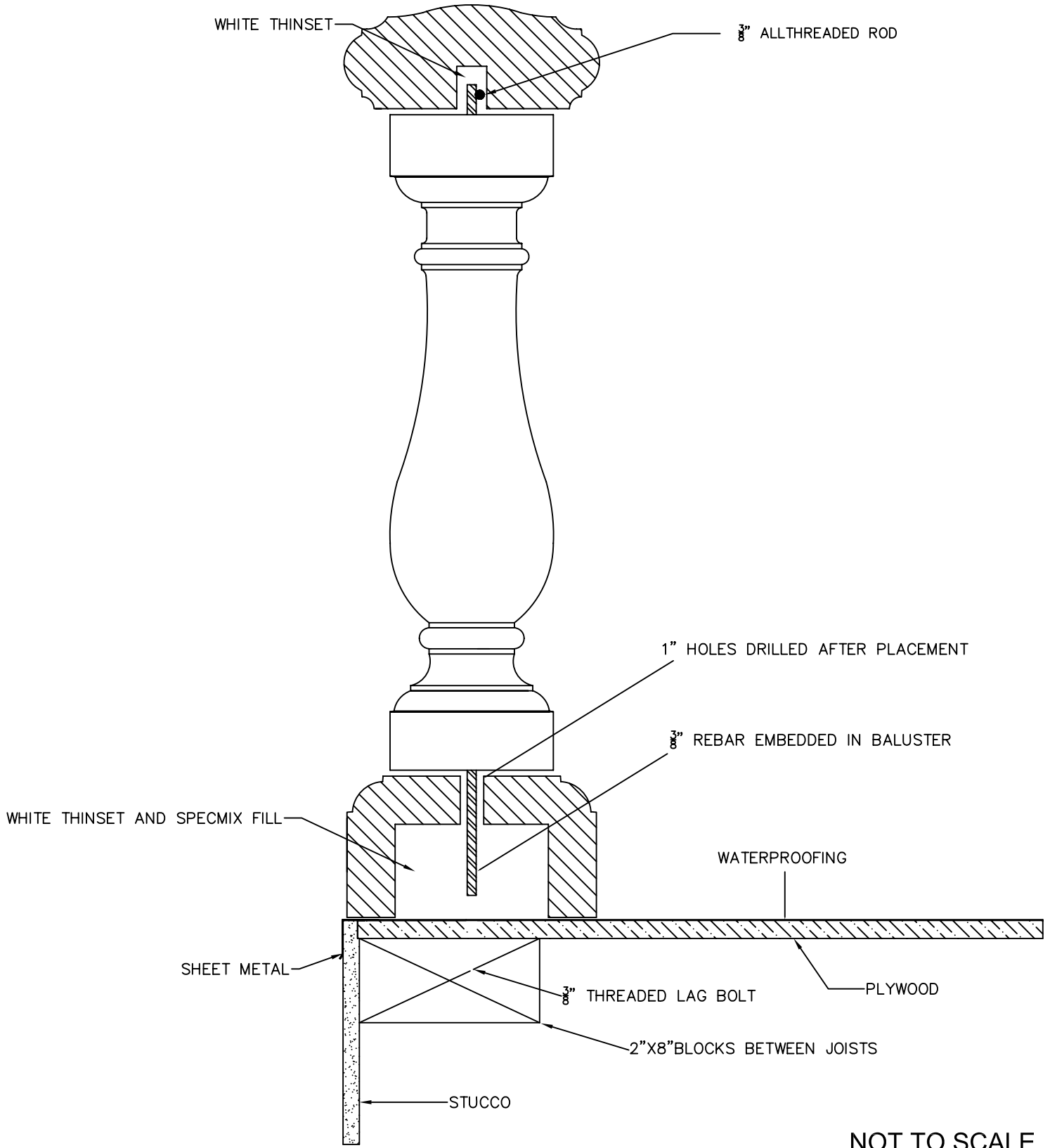
NOT TO SCALE

Ventura Cast Stone

(800) 898-2332
 (805) 386-8185
 Fax: (805) 386-3002

Drawn by: NG
 12-09-04

BALUSTER INSTALLATION DETAIL FOR WOOD DECK
 25% OF PINS TO HAVE THIS DETAIL

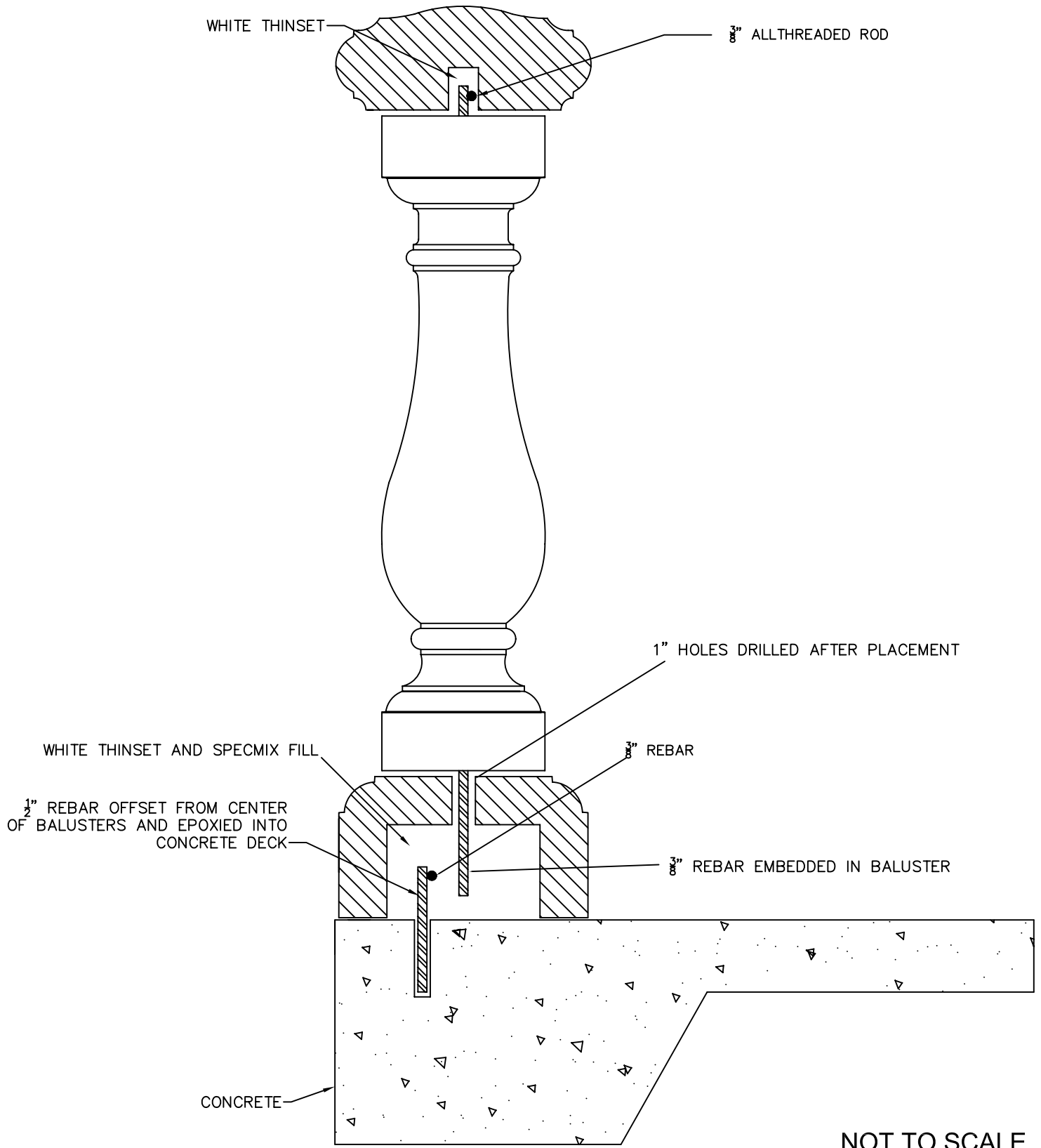


NOT TO SCALE

Ventura Cast Stone

(800) 898-2332
 (805) 386-8185
 Fax: (805) 386-3002

Drawn by: NG
 12-09-04



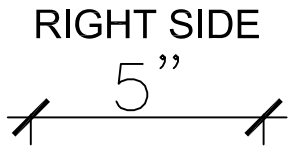
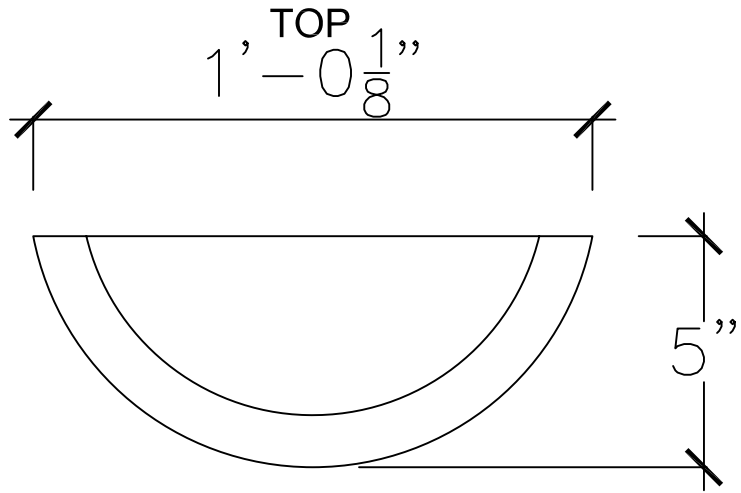
NOT TO SCALE

Ventura Cast Stone

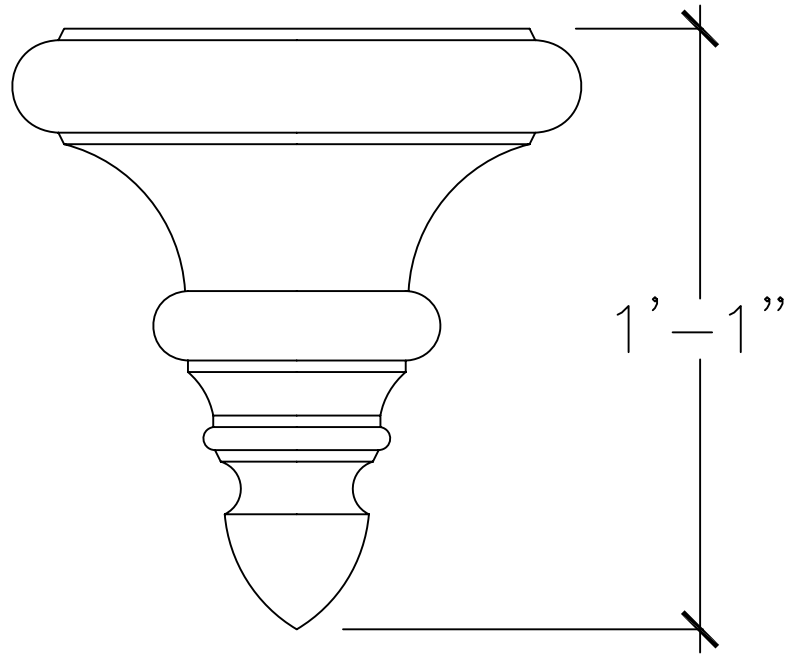
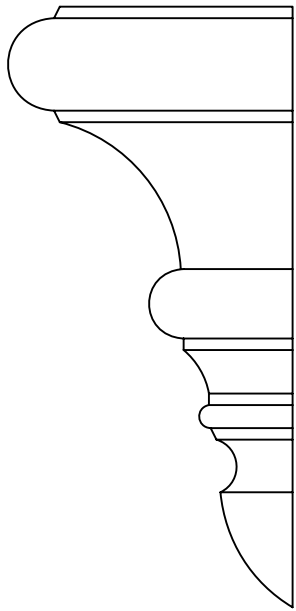
(800) 898-2332
 (805) 386-8185
 Fax: (805) 671-9371

Drawn by: NG
 12-09-04

CORBEL



FRONT



NOT TO SCALE

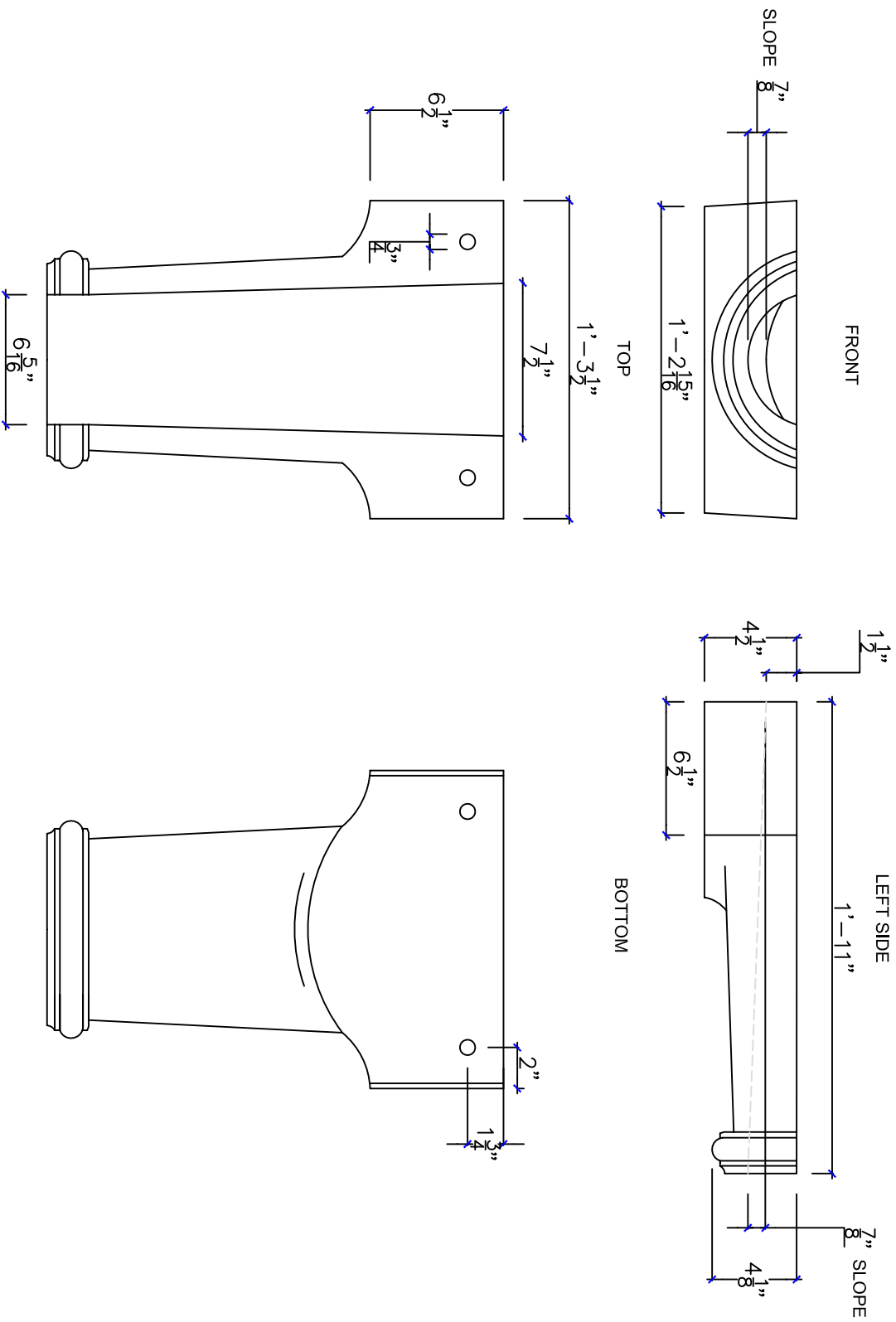
Ventura Cast Stone

(800) 898-2332
(805) 386-8185
Fax: (805) 671-9371

Drawn by: JG
03-18-08

SCUPPER OR CANALE

SHEET 1



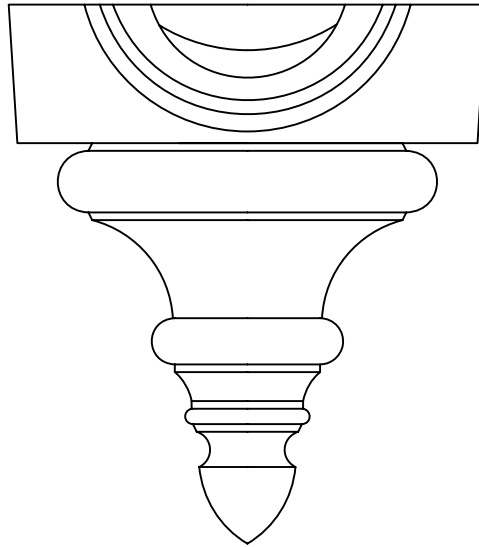
Ventura Cast Stone

(800) 898-2332
 (805) 386-8185
 Fax: (805) 671-9371

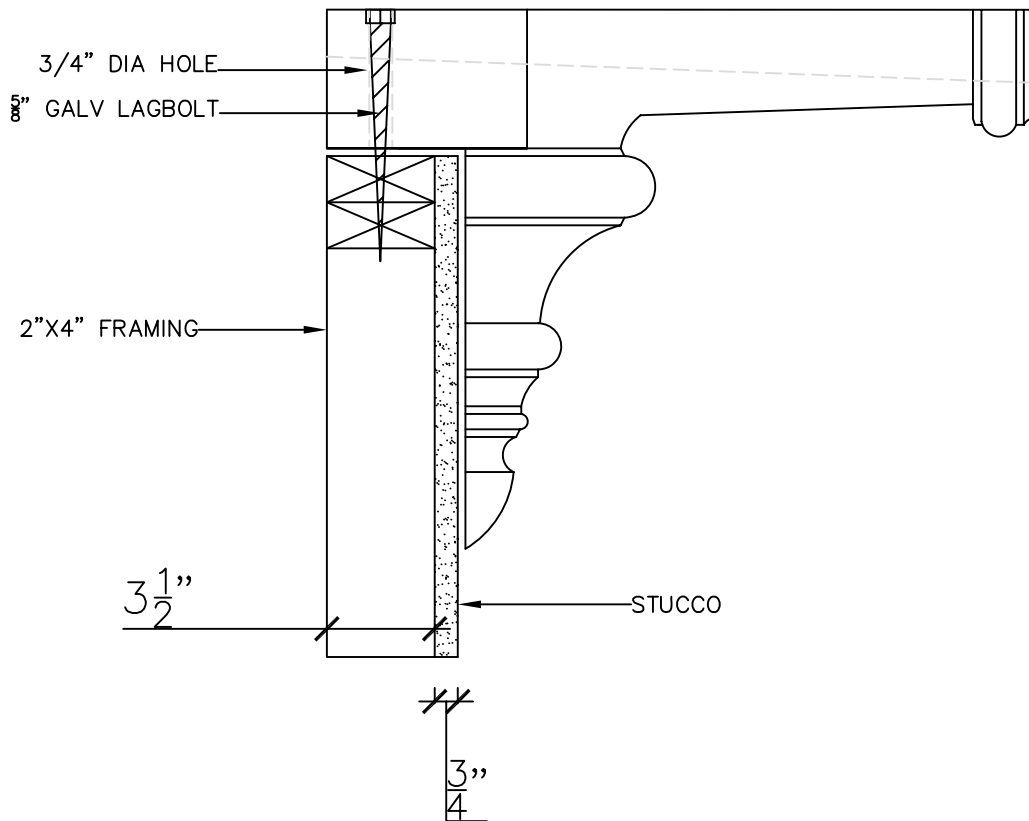
Drawn By: JG
 03-19-08

SCUPPER/CANALE AND CORBEL

FRONT



LEFT SIDE



NOT TO SCALE

Ventura Cast Stone

(800) 898-2332
(805) 386-8185
Fax: (805) 671-9371

Drawn by: JG
03-18-08